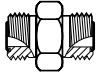

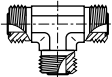
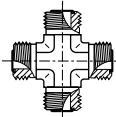
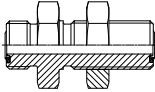
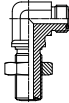
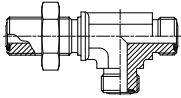
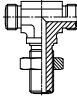
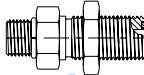
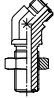

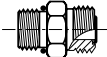

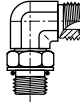

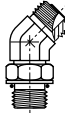
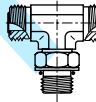
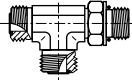
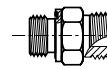
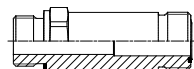
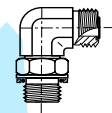

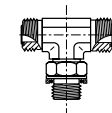
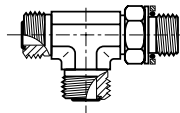
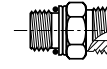
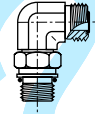
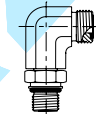
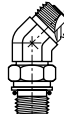
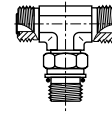
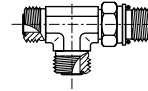
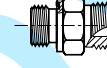
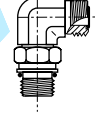
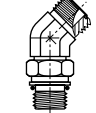
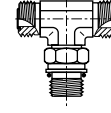
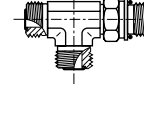
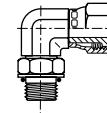
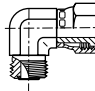
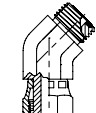
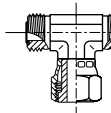
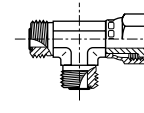




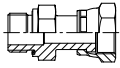
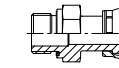
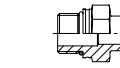
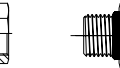
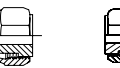
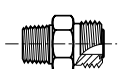

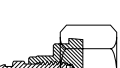


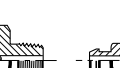









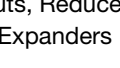












**O-Lok<sup>®</sup>**  
*O-Ring face seal tube fittings*



## Visual index

Tube-Tube unions							
	<b>HMLO</b> p. J9	<b>EMLO</b> p. J10	<b>JMLO</b> p. J11	<b>KLO</b> p. J12			
Bulkhead unions							
	<b>WMLO</b> p. J13	<b>WEMLO</b> p. J14	<b>WJJLO</b> p. J17	<b>WJLO</b> p. J16	<b>WF5OLO</b> p. J29	<b>WNLO</b> p. J15	<b>WLNML</b> p. J73
Tube to UNF thread							
	<b>F5OMLO</b> p. J27	<b>FF5OMLO</b> p. J28	<b>C5OMLO</b> p. J40	<b>CC5OLO</b> p. J41	<b>V5OMLO</b> p. J46	<b>S5OMLO</b> p. J50	<b>R5OMLO</b> p. J54
Tube to BSPP thread							
	<b>F42EDMLO</b> p. J30	<b>FF42EDMLO</b> p. J31	<b>C4OMLO</b> p. J42	<b>V4OMLO</b> p. J47	<b>S4OMLO</b> p. J52	<b>R4OMLO</b> p. J55	
Tube to metric ISO 6149-2 thread							
	<b>F87OMLO</b> p. J26	<b>C87OMLO</b> p. J38	<b>CC87OMLO</b> p. J39	<b>V87OMLO</b> p. J45	<b>S87OMLO</b> p. J49	<b>R87OMLO</b> p. J53	
Tube to metric thread							
	<b>F82EDMLO</b> p. J32	<b>C8OMLO</b> p. J43	<b>V8OMLO</b> p. J48	<b>S8OMLO</b> p. J52	<b>R8OMLO</b> p. J56		
Swivel fittings							
	<b>AOEL6</b> p. J18	<b>C6MLO</b> p. J19	<b>V6LO</b> p. J20	<b>S6MLO</b> p. J21	<b>R6MLO</b> p. J22		

## Visual index

Swivel nut to straight thread	 <p><b>BSPP F642EDML</b> p. J36</p>	 <p><b>Metric F682EDML</b> p. J37</p>	 <p><b>ISO Metric F687OML</b> p. J34</p>	 <p><b>UNF F65OL</b> p. J35</p>	 <p><b>HL6</b> p. J25</p>	
Tube to NPTF thread	 <p><b>FLO</b> p. J32</p>	 <p><b>CLO</b> p. J44</p>	<p>Taper threads should not be used for new projects or designs. Parker Hannifin recommends elastomerically sealed components.</p>			
Bleed adapters	 <p><b>FNLBA</b> p. J70</p>	 <p><b>PNLOBA</b> p. J71</p>	 <p><b>NPTF HPBA</b> p. J72</p>	 <p><b>UNF P5ONBA</b> p. J72</p>		
Test point and gauge adapters	 <p><b>TTP4ML</b> p. J61</p>	 <p><b>R6P4MLO</b> p. J62</p>	 <p><b>G4MLOSMO</b> p. J58</p>	 <p><b>TT4ML</b> p. J59</p>	 <p><b>TT8ML</b> p. J60</p>	 <p><b>G87MLO</b> p. J57</p>
Sleeves for metric and inch tube	 <p><b>TPL</b> p. J6</p>	 <p><b>TL</b> p. J7</p>	 <p><b>TL Reducing Braze Sleeve</b> p. J8</p>	<p>Nuts, Reducers &amp; Expanders</p>  <p><b>BML/BL</b> p. J5</p>  <p><b>TRMLO</b> p. J23</p>  <p><b>LOHL6</b> p. J24</p>		
Conversion adapters	 <p><b>XHML0</b> p. J67</p>	 <p><b>XHML6</b> p. J68</p>	 <p><b>LOHMX6</b> p. J69</p>	 <p><b>LOHU86</b> p. J70</p>		
Accessories	 <p><b>LOHB3</b> p. J63</p>	 <p><b>FNML</b> p. J64</p>	 <p><b>PNML0</b> p. J65</p>	 <p><b>O-ring</b> p. J74-75</p>	 <p><b>SBR Braze ring</b> p. J76</p>	 <p><b>TW3L</b> p. J73</p>

J

## How to order O-Lok® fittings

Example Order code **6-8 C 5 O M L O S**

1    2    3    4    5    6    7    8

### 1 Order codes for tube and port thread ends

Dash Size	Tube Size (Inch)	Tube Size (mm)	Port Thread Size (Inch) BSPP/BSPT/NPT	Port Thread Size UN / UNF
4	1/4	6	1/4	7/16-20
5				1/2-20
6	3/8	8,10	3/8	9/16-18
8	1/2	12	1/2	3/4-16
10	5/8	14,15,16	5/8	7/8-14
12	3/4	18,20	3/4	1 1/6-12
14				1 3/6-12
16	1	25	1	1 5/6-12
20	1 1/4	28,30,32	1 1/4	1 5/8-12
24	1 1/2	35,38	1 1/2	1 7/8-12
32	2	50	2	2 1/2-12

Metric port threads are shown as per example 4M12C87OMLOS

### 3 Threads and sealing methods

Code	Description
None	NPT/NPTF Thread
3	BSPT Thread
4	BSPP Thread O-Ring & Retainer Ring
42	BSPP Thread EOLASTIC seal 'ED'
5	UN/UNF Thread (O-Ring Seal)
8	Metric Thread O-Ring & Retainer Ring
82	Metric Thread EOLASTIC seal 'ED'
87	Metric ISO 6149 Thread (O-Ring Seal)
63	Swivel Connector BSPT end
64	Swivel Connector BSPP end (O-Ring & Retainer Ring)
642	Swivel Connector BSPP end (EOLASTIC Seal 'ED')
65	Swivel Connector UN/UNF end (O-Ring seal)
68	Swivel Connector Metric end (O-Ring & Retainer Ring)
682	Swivel Connector Metric end (EOLASTIC Seal 'ED')
687	Swivel Connector Metric ISO 6149 end

### 2 Codes for fitting styles/shapes

Code	Description
AE6	Straight Thread Swivel
B	Nut
C	Male Stud elbow
CC	Extended Male Stud elbow
C6	Swivel Nut Elbow
E	Union elbow
F	Male Stud connector
FF	Extended Male Stud connector
F6	Male Stud Swivel
FN	Cap
FNLBAS	Bleed Adapter Cap
G	Female Connector
H	Straight union
H6	Swivel/Swivel Adapter
J	Union Tee
K	Union Cross
LOHB3	Braze Adapter
LOHX6	Triple-Lok® Swivel/O-Lok® adaptor
M	Female Run Tee
O	Female Branch Tee
PN	Plug
PNLOBA	Bleed Adapter Plug
R	Male Stud Run Tee
R6	Swivel Run Tee
S	Male Stud Branch Tee
S6	Swivel Branch Tee
SBR	Braze Ring
TPL	Parflange® sleeve
TL	Brazed sleeve
TR	Tube End Reducer
TT	Test Point Adapter
TW3	Weld Nipple
V	45° male stud elbow
V6	Swivel Nut 45° Elbow
W	Bulkhead Union
WE	Bulkhead Union Elbow
WJJ	Bulkhead Run Tee
WJT	Bulkhead Branch Tee
WLNML	Bulkhead Locknut
WN	Bulkhead 45° union elbow
XHL6	Triple Lok®/Swivel O-Lok® adaptor
XHLO	Triple Lok®/O-Lok® male adaptor

### 4 Stud connector seal

Code	Description
O	O-Ring Seal (Assembled on fitting)
ED	Captive EOLASTIC Seal (Assembled on fitting)
No Code	No Seal (O-Ring not assembled on fitting)

### 5 Hexagon/ Across flats style

Code	Description
M	Metric Hexagon Dimension
No Code	Inch Hexagon Dimension

### 6 Fitting type

Code	Description
L	Parker O-Lok®

### 7 Tube connection seal ORFS

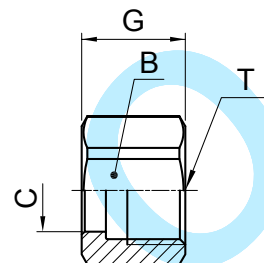
Code	Description
O	O-Ring Seal (Assembled on Fitting)
No Code	No Seal/O-Ring

### 8 Fitting material

Code	Description
S	Steel
SS	Stainless Steel
B	Brass

## BML Nut

O-Lok® ORFS tube nut  
SAE 52M0110 ISO 8434-3 NA

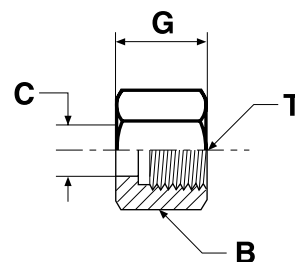


Tube O.D.		Thread UN/UNF-2B T	B mm	C mm	G mm	Weight (steel) g/1 piece	O-Lok® Steel	O-Lok® Stainless Steel
mm	in.							
6	1/4	9/16-18	17	10.5	15	14	<b>4BMLS</b>	<b>4BMLSS</b>
8, 10	3/8	11/16-16	22	13.5	18	17	<b>6BMLS</b>	<b>6BMLSS</b>
12	1/2	13/16-16	24	16.6	20	29	<b>8BMLS</b>	<b>8BMLSS</b>
14, 15, 16	5/8	1-14	30	21.1	24	46	<b>10BMLS</b>	<b>10BMLSS</b>
18, 20	3/4	1 3/16-12	36	24.2	27	69	<b>12BMLS</b>	<b>12BMLSS</b>
22, 25	1	1 7/16-12	41	29.1	28	109	<b>16BMLS</b>	<b>16BMLSS</b>
28, 30, 32	1 1/4	1 11/16-12	50	36	28	126	<b>20BMLS</b>	<b>20BMLSS</b>
35, 38	1 1/2	2-12	60	44	28	195	<b>24BMLS</b>	<b>24BMLSS</b>
50	2	2 1/2-12	75	56	33	800	<b>32BMLS</b>	<b>32BMLSS</b>

Part numbers shown are part of our current manufacturing programme.  
Do not create drawings from these dimensions, they are subject to change and ISO manufacturing allowances.

## BL Nut

O-Lok® ORFS tube nut  
SAE 520110

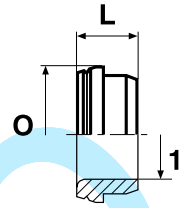


Tube O.D.		Thread UN/UNF-2B T	B in.	C mm	G mm	Weight (steel) g/1 piece	O-Lok® Steel	O-Lok® Stainless Steel
mm	in.							
6	1/4	9/16-18	11/16	10.5	15	16	<b>4 BL-S</b>	<b>4 BL-SS</b>
8, 10	3/8	11/16-16	13/16	13.5	17	24	<b>6 BL-S</b>	<b>6 BL-SS</b>
12	1/2	13/16-16	15/16	16.6	21	37	<b>8 BL-S</b>	<b>8 BL-SS</b>
14, 15, 16	5/8	1-14	1 1/8	22.1	24	52	<b>10 BL-S</b>	<b>10 BL-SS</b>
18, 20	3/4	1 3/16-12	1 3/8	24.1	26	89	<b>12 BL-S</b>	<b>12 BL-SS</b>
22, 25	1	1 7/16-12	1 5/8	29.1	28	119	<b>16 BL-S</b>	<b>16 BL-SS</b>
28, 30, 32	1 1/4	1 11/16-12	1 7/8	36	28	132	<b>20 BL-S</b>	<b>20 BL-SS</b>
35, 38	1 1/2	2-12	2 1/4	44	28	220	<b>24 BL-S</b>	<b>24 BL-SS</b>
50	2	2 1/2-12	2 7/8	56	33	700	<b>32 BL-S</b>	<b>32 BL-SS</b>

Part numbers shown are part of our current manufacturing programme.  
Do not create drawings from these dimensions, they are subject to change and ISO manufacturing allowances.

## TPL Sleeve metric tubing

O-Lok® ORFS Parflange® tube sleeve

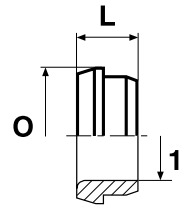


Tube O.D. 1 mm	L mm	O mm	Weight (steel) g/1 piece	O-Lok® Steel	O-Lok® Stainless Steel
6	8	13	4	<b>TPLS6</b>	<b>TPLSS6</b>
8	8	13	4	<b>TPLS8-6</b>	<b>TPLSS8-6</b>
8	9	16	4	<b>TPLS8</b>	<b>TPLSS8</b>
10	9	16	5	<b>TPLS10</b>	<b>TPLSS10</b>
10	11	19	6	<b>TPLS12-10</b>	<b>TPLSS12-10</b>
12	11	19	6	<b>TPLS12</b>	<b>TPLSS12</b>
14	11	23	10	<b>TPLS14</b>	<b>TPLSS14</b>
15	11	23	9	<b>TPLS15</b>	<b>TPLSS15</b>
16	11	23	8	<b>TPLS16</b>	<b>TPLSS16</b>
18	12	28	14	<b>TPLS18</b>	<b>TPLSS18</b>
20	12	28	15	<b>TPLS20</b>	<b>TPLSS20</b>
22	14	34	20	<b>TPLS22</b>	<b>TPLSS22</b>
25	13	34	23	<b>TPLS25</b>	<b>TPLSS25</b>
28	13	40	24	<b>TPLS28</b>	<b>TPLSS28</b>
30	13	40	25	<b>TPLS30</b>	<b>TPLSS30</b>
32	13	40	26	<b>TPLS32</b>	<b>TPLSS32</b>
35	13	48	36	<b>TPLS35</b>	<b>TPLSS35</b>
38	13	48	44	<b>TPLS38</b>	<b>TPLSS38</b>
50	14	61	180	<b>TPLS50</b>	<b>TPLSS50</b>

Part numbers shown are part of our current manufacturing programme.  
Do not create drawings from these dimensions, they are subject to change and ISO manufacturing allowances.

## TPL Sleeve inch tubing

O-Lok® ORFS Parflange® tube sleeve

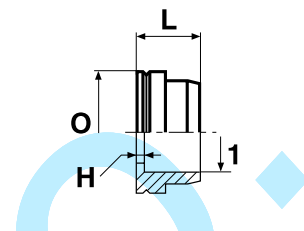


Tube O.D. 1 in.	L mm	O mm	Weight (steel) g/1 piece	O-Lok® Steel	O-Lok® Stainless Steel
1/4	8	13	4	<b>4 TPL-S</b>	<b>4 TPL-SS</b>
3/8	9	16	5	<b>6 TPL-S</b>	<b>6 TPL-SS</b>
1/2	11	19	6	<b>8 TPL-S</b>	<b>8 TPL-SS</b>
5/8	11	23	11	<b>10 TPL-S</b>	<b>10 TPL-SS</b>
3/4	12	28	19	<b>12 TPL-S</b>	<b>12 TPL-SS</b>
7/8	14	31	19	<b>14 TPL-S</b>	<b>14 TPL-SS</b>
1	14	34	22	<b>16 TPL-S</b>	<b>16 TPL-SS</b>
1 1/4	13	41	28	<b>20 TPL-S</b>	<b>20 TPL-SS</b>
1 1/2	13	48	44	<b>24 TPL-S</b>	<b>24 TPL-SS</b>
2	14	61	180	<b>32 TPL-S</b>	<b>32 TPL-SS</b>

Part numbers shown are part of our current manufacturing programme.  
Do not create drawings from these dimensions, they are subject to change and ISO manufacturing allowances.

## TL\* Braze sleeve metric tubing

O-Lok® ORFS silver braze tube sleeve  
 SAE 52M0115 ISO 8434-3 BRSL  
 (\*Parts delivered oil dipped finish only – steel)

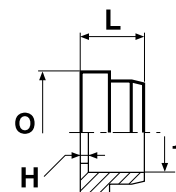


ORFS dash size	Tube O.D. 1 mm	H mm	L mm	O mm	Weight (steel) g/1 piece	O-Lok® Steel	O-Lok® Stainless Steel
4	6	1	10	13	5	<b>TLS6</b>	<b>TLSS6</b>
4	8	1	10	13	5	<b>TLS6-8</b>	<b>TLSS6-8</b>
5	8	1	10	16	7	<b>TLS8</b>	<b>TLSS8</b>
6	8	2	10	16	7	<b>TLS10-8</b>	<b>TLSS10-8</b>
6	10	1	10	16	7	<b>TLS10</b>	<b>TLSS10</b>
8	10	4	12	19	10	<b>TLS12-10</b>	<b>TLSS12-10</b>
8	12	1	10	19	10	<b>TLS12</b>	<b>TLSS12</b>
10	15	2	11	23	16	<b>TLS16-15</b>	<b>TLSS16-15</b>
10	16	2	11	23	16	<b>TLS16</b>	<b>TLSS16</b>
12	18	2	14	28	26	<b>TLS20-18</b>	<b>TLSS20-18</b>
12	20	2	14	28	21	<b>TLS20</b>	<b>TLSS20</b>
16	22	2	16	34	33	<b>TLS25-22</b>	<b>TLSS25-22</b>
16	25	2	16	34	30	<b>TLS25</b>	<b>TLSS25</b>
20	28	2	16	41	41	<b>TLS32-28</b>	<b>TLSS32-28</b>
20	30	2	16	41	42	<b>TLS32-30</b>	<b>TLSS32-30</b>
20	32	2	16	41	40	<b>TLS32</b>	<b>TLSS32</b>
24	35	2	16	49	48	<b>TLS38-35</b>	<b>TLSS38-35</b>
24	38	2	16	49	63	<b>TLS38</b>	<b>TLSS38</b>

Part numbers shown are part of our current manufacturing programme.  
 Do not create drawings from these dimensions, they are subject to change and ISO manufacturing allowances.

## TL\* Braze sleeve inch tubing

O-Lok® ORFS silver braze tube sleeve  
 SAE 520115  
 (\*Parts delivered oil dipped finish only – steel)

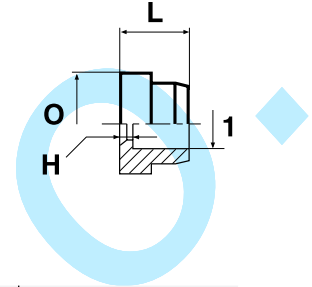


Tube O.D. 1 in.	H mm	L mm	O mm	Weight (steel) g/1 piece	O-Lok® Steel	O-Lok® Stainless Steel
1/4	1	10	13	5	<b>4 TL-S</b>	<b>4 TL-SS</b>
3/8	1	10	16	6	<b>6 TL-S</b>	<b>6 TL-SS</b>
1/2	1	10	19	10	<b>8 TL-S</b>	<b>8 TL-SS</b>
5/8	2	11	23	18	<b>10 TL-S</b>	<b>10 TL-SS</b>
3/4	2	14	28	26	<b>12 TL-S</b>	<b>12 TL-SS</b>
1	2	16	34	33	<b>16 TL-S</b>	<b>16 TL-SS</b>
1 1/4	2	16	41	42	<b>20 TL-S</b>	<b>20 TL-SS</b>
1 1/2	2	16	49	63	<b>24 TL-S</b>	<b>24 TL-SS</b>
2	2	17	61	210	<b>32 TL-S</b>	<b>32 TL-SS</b>

Part numbers shown are part of our current manufacturing programme.  
 Do not create drawings from these dimensions, they are subject to change and ISO manufacturing allowances.

**TL\* Reducing braze sleeve inch tubing**

O-Lok® ORFS silver braze tube sleeve  
 SAE 520115  
 (\*Parts delivered oil dipped finish only – steel)



ORFS dash size	Tube O.D. 1 in.	H mm	L mm	O mm	Weight (Steel) g/1 piece	O-Lok® Steel	O-Lok® Stainless Steel
6	1/4	2	10	16	10	<b>6-4 TL-S</b>	<b>6-4 TL-SS</b>
8	1/4	4	12	19	17	<b>8-4 TL-S</b>	<b>8-4 TL-SS</b>
8	3/8	4	12	19	17	<b>8-6 TL-S</b>	<b>8-6 TL-SS</b>
10	1/4	5	14	23	37	<b>10-4 TL-S</b>	<b>10-4 TL-SS</b>
10	3/8	5	14	23	32	<b>10-6 TL-S</b>	<b>10-6 TL-SS</b>
10	1/2	5	14	23	28	<b>10-8 TL-S</b>	<b>10-8 TL-SS</b>
12	1/4	6	15	28	54	<b>12-4 TL-S</b>	<b>12-4 TL-SS</b>
12	3/8	6	15	28	49	<b>12-6 TL-S</b>	<b>12-6 TL-SS</b>
12	1/2	6	15	28	44	<b>12-8 TL-S</b>	<b>12-8 TL-SS</b>
12	5/8	6	15	28	39	<b>12-10 TL-S</b>	<b>12-10 TL-SS</b>
16	1/2	7	16	34	76	<b>16-8 TL-S</b>	<b>16-8 TL-SS</b>
16	5/8	7	16	34	71	<b>16-10 TL-S</b>	<b>16-10 TL-SS</b>
16	3/4	5	17	34	66	<b>16-12 TL-S</b>	<b>16-12 TL-SS</b>
16	7/8	5	17	34	50	<b>16-14 TL-S</b>	<b>16-14 TL-SS</b>
20	3/4	7	20	41	102	<b>20-12 TL-S</b>	<b>20-12 TL-SS</b>
20	1	7	21	41	79	<b>20-16 TL-S</b>	<b>20-16 TL-SS</b>
24	1	7	21	49	141	<b>24-16 TL-S</b>	<b>24-16 TL-SS</b>
24	1 1/4	7	21	49	107	<b>24-20 TL-S</b>	<b>24-20 TL-SS</b>

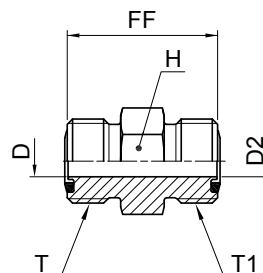
Part numbers shown are part of our current manufacturing programme.  
 Do not create drawings from these dimensions, they are subject to change and ISO manufacturing allowances.

KONV



## HMLO Union

O-Lok® ORFS tube ends  
SAE 520101



Tube 1 O.D.		Tube 2 O.D.		Thread UN/UNF-2A T	Thread UN/UNF-2A T1	D	D2	FF	H	Weight (steel) g/1 piece	O-Lok® Steel	O-Lok® Stainless Steel	PN (bar)	
mm	in.	mm	in.			mm	mm	mm	mm				S	SS
6	1/4	6	1/4	9/16-18	9/16-18	4.5	4.5	28	17	31	<b>4HMLOS</b>	<b>4HMLOSS</b>	630	630
8, 10	5/16, 3/8	8, 10	5/16, 3/8	11/16-16	11/16-16	6.5	6.5	31	19	49	<b>6HMLOS</b>	<b>6HMLOSS</b>	630	630
10	3/8	6	1/4	11/16-16	9/16-18	6.5	4.5	30	19	45	<b>6-4HMLOS</b>	<b>6-4HMLOSS</b>	630	630
12	1/2	12	1/2	13/16-16	13/16-16	9.5	9.5	36	22	77	<b>8HMLOS</b>	<b>8HMLOSS</b>	630	630
12	1/2	10	3/8	13/16-16	11/16-16	9.5	6.5	34	22	67	<b>8-6 HLO-S</b>	<b>8-6HMLOSS</b>	630	630
14, 15, 16	5/8	10	3/8	1-14	11/16-16	12.5	6.5	38	27	113	<b>10-6HMLOS</b>	<b>10-6HMLOSS</b>	420	420
14, 15, 16	5/8	14, 15, 16	5/8	1-14	1-14	12.5	12.5	43	27	129	<b>10HMLOS</b>	<b>10HMLOSS</b>	420	420
16	5/8	12	1/2	1-14	13/16-16	12.5	9.5	40	27	112	<b>10-8 HLO-S</b>	<b>10-8HMLOSS</b>	420	420
18, 20	3/4	12	1/2	1 3/16-12	13/16-16	15.5	9.5	43	32	160	<b>12-8HMLOS</b>	<b>12-8HMLOSS</b>	420	420
18, 20	3/4	18, 20	3/4	1 3/16-12	1 3/16-12	15.5	15.5	47	32	204	<b>12HMLOS</b>	<b>12HMLOSS</b>	420	420
20	3/4	16	5/8	1 3/16-12	1-14	15.5	12.5	46	32	186	<b>12-10HMLOS</b>	<b>12-10HMLOSS</b>	420	420
22, 25	1	22, 25	1	1 7/16-12	1 7/16-12	20.5	20.5	49	41	291	<b>16HMLOS</b>	<b>16HMLOSS</b>	420	420
25	1	18, 20	3/4	1 7/16-12	1 3/16-12	20.5	15.5	49	41	285	<b>16-12HMLOS</b>	<b>16-12HMLOSS</b>	420	420
28, 30, 32	1 1/4	28, 30, 32	1 1/4	1 11/16-12	1 11/16-12	26	26	51	45	299	<b>20 HLO-S</b>	<b>20HMLOSS</b>	420	280
28, 30, 32	1 1/4	22, 25	1	1 11/16-12	1 7/16-12	26	20.5	52	46	280	<b>20-16HMLOS</b>	<b>20-16HMLOSS</b>	420	280
35, 38	1 1/2	35, 38	1 1/2	2-12	2-12	32	32	53	54	552	<b>24 HLO-S</b>	<b>24HMLOSS</b>	350	280
35, 38	1 1/2	28, 30, 32	1 1/4	2-12	1 11/16-12	32	26	53	55	530	<b>24-20HMLOS</b>	<b>24-20HMLOSS</b>	350	280
50	2	50	2	2 1/2-12	2 1/2-12	45	45	63	70	990	<b>32 HLO-S</b>	<b>32HMLOSS</b>	200	200

Product delivered with NBR TRAP seal. Replacement of TRAP seal is with a standard NBR O-ring – see page J74-J75.

Part numbers shown are part of our current manufacturing programme.

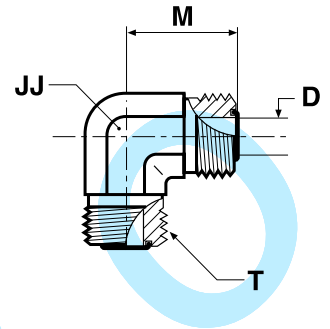
Imperial and metric parts may vary in hexagon dimensions.

$$\frac{\text{PN (bar)}}{10} = \text{PN (MPa)}$$

Do not create drawings from these dimensions, they are subject to change and ISO manufacturing allowances.

## EMLO Union elbow

O-Lok® ORFS tube ends  
SAE 520201



Tube O.D.		Thread UN/UNF-2A T	D mm	JJ* mm	M mm	Weight (steel) g/1 piece	O-Lok® Steel	O-Lok® Stainless Steel	PN (bar)	
mm	in.								S	SS
6	1/4	9/16-18	4.5	14	22	47	<b>4 ELO-S</b>	<b>4EMLOSS</b>	630	630
8, 10	5/16, 3/8	11/16-16	6.5	19	25	109	<b>6 ELO-S</b>	<b>6EMLOSS</b>	630	630
12	1/2	13/16-16	9.5	19	28	123	<b>8 ELO-S</b>	<b>8EMLOSS</b>	630	630
14, 15, 16	5/8	1-14	12.5	27	34	183	<b>10 ELO-S</b>	<b>10EMLOSS</b>	420	420
18, 20	3/4	1 3/16-12	15.5	30	38	255	<b>12 ELO-S</b>	<b>12EMLOSS</b>	420	420
22, 25	1	1 7/16-12	20.5	36	42	457	<b>16 ELO-S</b>	<b>16EMLOSS</b>	420	420
28, 30, 32	1 1/4	1 11/16-12	26	41	45	530	<b>20 ELO-S</b>	<b>20EMLOSS</b>	350	280
35, 38	1 1/2	2-12	32	48	49	687	<b>24 ELO-S</b>	<b>24EMLOSS</b>	280	280
50	2	2 1/2-12	45	64	70	1500	<b>32 ELO-S</b>		200	—

Product delivered with NBR TRAP seal. Replacement of TRAP seal is with a standard NBR O-ring – see page J74–J75.

Part numbers shown are part of our current manufacturing programme.

Imperial and metric parts may vary in hexagon dimensions.

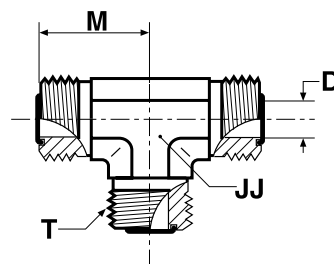
$$\frac{\text{PN (bar)}}{10} = \text{PN (MPa)}$$

Do not create drawings from these dimensions, they are subject to change and ISO manufacturing allowances.

\*JJ may vary in stainless steel

## JMLO Union tee

O-Lok® ORFS tube ends  
SAE 520401



Tube O.D.		Thread UN/UNF-2A T	D mm	JJ* mm	M mm	Weight (steel) g/1 piece	O-Lok® Steel	O-Lok® Stainless Steel	PN (bar)	
mm	in.								S	SS
6	1/4	9/16-18	4.5	14	22	66	<b>4JMLOS</b>	<b>4JMLOSS</b>	630	630
8, 10	5/16, 3/8	11/16-16	6.5	19	25	114	<b>6JMLOS</b>	<b>6JMLOSS</b>	630	630
12	1/2	13/16-16	9.5	19	28	199	<b>8JMLOS</b>	<b>8JMLOSS</b>	630	630
14, 15, 16	5/8	1-14	12.5	27	34	239	<b>10 JLO-S</b>	<b>10JMLOSS</b>	420	420
18, 20	3/4	1 3/16-12	15.5	30	38	321	<b>12 JLO-S</b>	<b>12JMLOSS</b>	420	420
22, 25	1	1 7/16-12	20.5	36	42	488	<b>16 JLO-S</b>	<b>16JMLOSS</b>	420	420
28, 30, 32	1 1/4	1 11/16-12	26	41	45	768	<b>20 JLO-S</b>	<b>20JMLOSS</b>	350	280
35, 38	1 1/2	2-12	32	48	49	866	<b>24 JLO-S</b>	<b>24JMLOSS</b>	280	280
50	2	2 1/2-12	45	64	70	2250	<b>32 JLO-S</b>	<b>32JMLOSS</b>	200	200

Product delivered with NBR TRAP seal. Replacement of TRAP seal is with a standard NBR O-ring – see page J74–J75.

Part numbers shown are part of our current manufacturing programme.

Imperial and metric parts may vary in hexagon dimensions.

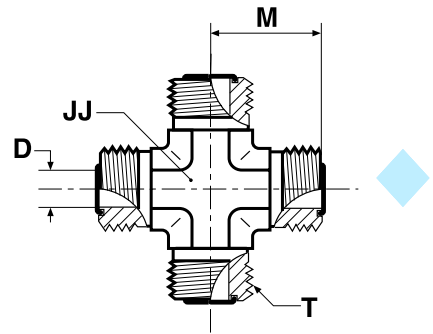
$$\frac{\text{PN (bar)}}{10} = \text{PN (MPa)}$$

Do not create drawings from these dimensions, they are subject to change and ISO manufacturing allowances.

\*JJ may vary in stainless steel

## KLO Union cross

O-Lok® ORFS tube ends  
SAE 520501



Tube O.D.		Thread UN/UNF-2A T	D mm	JJ* mm	M mm	Weight (steel) g/1 piece	O-Lok® Steel	O-Lok® Stainless Steel	PN (bar)	
mm	in.								S	SS
6	1/4	9/16-18	4.5	14	22	72	<b>4 KLO-S</b>	<b>4 KLO-SS</b>	630	630
8, 10	5/16, 3/8	11/16-16	6.5	19	25	140	<b>6 KLO-S</b>	<b>6 KLO-SS</b>	630	630
12	1/2	13/16-16	9.5	19	28	225	<b>8 KLO-S</b>	<b>8 KLO-SS</b>	630	630
14, 15, 16	5/8	1-14	12.5	27	33	288	<b>10 KLO-S</b>	<b>10 KLO-SS</b>	420	420
18, 20	3/4	1 3/16-12	15.5	30	37	415	<b>12 KLO-S</b>	<b>12 KLO-SS</b>	420	420
22, 25	1	1 7/16-12	20.5	41	42	967	<b>16 KLO-S</b>	<b>16 KLO-SS</b>	420	420
28, 30, 32	1 1/4	1 11/16-12	26	41	45	1247	<b>20 KLO-S</b>	<b>20 KLO-SS</b>	350	280
35, 38	1 1/2	2-12	32	48	49	1592	<b>24 KLO-S</b>	<b>24 KLO-SS</b>	280	280

Product delivered with NBR TRAP seal. Replacement of TRAP seal is with a standard NBR O-ring – see page J74–J75.

Part numbers shown are part of our current manufacturing programme.

Imperial and metric parts may vary in hexagon dimensions.

$$\frac{\text{PN (bar)}}{10} = \text{PN (MPa)}$$

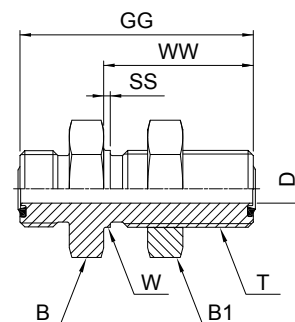
Do not create drawings from these dimensions, they are subject to change and ISO manufacturing allowances.

\*JJ may vary in stainless steel

KONVEN

## WMLO Bulkhead union

O-Lok® ORFS tube ends  
SAE 520601 ISO 8434-3 BHS



Tube O.D.		Thread UN/UNF-2A T	B1 mm	B mm	D mm	GG mm	SS mm	W mm	WW mm	Weight (steel) g/1 piece	O-Lok®		PN (bar)	
mm	in.										Steel	Stainless Steel	S	SS
6	1/4	9/16-18	20.6	21	4.5	48	2	14	32	65	<b>4 WLO-WLNL-S</b>	<b>4WMLOWLNMLSS</b>	630	630
8, 10	5/16, 3/8	11/16-16	27	27	6.5	53	2	17	34	104	<b>6WMLOWLNMLS</b>	<b>6WMLOWLNMLSS</b>	630	630
12	1/2	13/16-16	30	30	9.5	59	3	21	37	141	<b>8WMLOWLNMLS</b>	<b>8WMLOWLNMLSS</b>	630	630
14, 15, 16	5/8	1-14	36	32	12.5	67	3	25	41	285	<b>10WMLOWLNMLS</b>	<b>10WMLOWLNMLSS</b>	420	420
18, 20	3/4	1 3/16-12	41	41	15.5	69	3	30	42	322	<b>12WMLOWLNMLS</b>	<b>12WMLOWLNMLSS</b>	420	420
22, 25	1	1 7/16-12	44.5	45	20.5	70	2	36	42	480	<b>16 WLO-WLNL-S</b>	<b>16WMLOWLNMLSS</b>	420	420
28, 30, 32	1 1/4	1 11/16-12	50.4	51	26	70	2	43	42	510	<b>20 WLO-WLNL-S</b>	<b>20WMLOWLNMLSS</b>	420	280
35, 38	1 1/2	2-12	60.3	60	32	70	2	51	42	674	<b>24 WLO-WLNL-S</b>	<b>24WMLOWLNMLSS</b>	350	280

Product delivered with NBR TRAP seal. Replacement of TRAP seal is with a standard NBR O-ring – see page J74–J75.

Part numbers shown are part of our current manufacturing programme.

Imperial and metric parts may vary in hexagon dimensions.

For the version without the locknut remove “WLNL” (e.g. 16WMLO)

$$\frac{PN \text{ (bar)}}{10} = PN \text{ (MPa)}$$

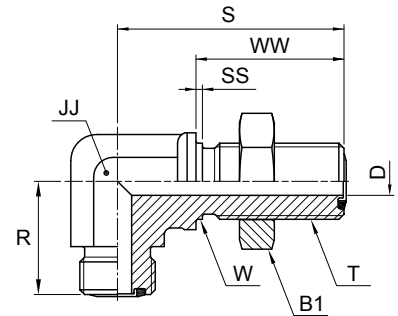
Do not create drawings from these dimensions, they are subject to change and ISO manufacturing allowances.

### Maximum bulkhead wallthickness

Size	Tube O.D.		Straight bulkhead union Max. thickness mm	Shape bulkhead union Max. thickness mm
	inch	metric		
4	1/4	6	13.5	13.5
6	3/8	10	13.5	13.5
8	1/2	12	13.5	13.5
10	5/8	14–16	13.2	13.2
12	3/4	18–20	12.7	12.7
16	1	22–25	13.0	13.0
20	1 1/4	28–32	13.0	13.0
24	1 1/2	35–38	13.0	13.0

## WEMLO Bulkhead union elbow

O-Lok® ORFS tube end/O-Lok® ORFS tube end  
SAE520701/SAE 520701 ISO 8434-3 BHE



Tube O.D.		Thread UN/UNF-2A T	B1 mm	D mm	JJ* mm	R mm	S mm	SS mm	W mm	WW mm	Weight (steel) g/1 piece	O-Lok® Steel	O-Lok® Stainless Steel	PN (bar)	
mm	in.											Steel	Stainless Steel	S	SS
6	1/4	9/16-18	20.6	4.5	14	23	47	2	14	32	78	<b>4 WELO-WLNL-S</b>	<b>4 WELO-WLNL-SS</b>	630	630
8, 10	5/16, 3/8	11/16-16	27	6.5	19	26	52	2	17	34	146	<b>6WEMLOWLNMLS</b>	<b>6 WELO-WLNL-SS</b>	630	630
12	1/2	13/16-16	30	9.5	19	29	56	3	21	37	252	<b>8WEMLOWLNMLS</b>	<b>8 WELO-WLNL-SS</b>	630	630
14, 15, 16	5/8	1-14	36	12.5	27	35	63	3	25	41	287	<b>10WEMLOWLNMLS</b>	<b>10 WELO-WLNL-SS</b>	420	420
18, 20	3/4	1 3/16-12	38	15.5	30	39	67	2	30	42	445	<b>12 WELO-WLNL-S</b>	<b>12 WELO-WLNL-SS</b>	420	420
22, 25	1	1 7/16-12	44.5	20.5	36	42	71	2	37	42	639	<b>16 WELO-WLNL-S</b>	<b>16 WELO-WLNL-SS</b>	420	420
28, 30, 32	1 1/4	1 11/16-12	50.4	26	41	46	75	2	43	42	718	<b>20 WELO-WLNL-S</b>	<b>20 WELO-WLNL-SS</b>	350	280
35, 38	1 1/2	2-12	60.3	32	48	50	80	2	51	42	945	<b>24 WELO-WLNL-S</b>	<b>24 WELO-WLNL-SS</b>	280	280

Product delivered with NBR TRAP seal. Replacement of TRAP seal is with a standard NBR O-ring – see page J74–J75.

Part numbers shown are part of our current manufacturing programme.

Imperial and metric parts may vary in hexagon dimensions.

For the version without the locknut remove “WLNML” (e.g. 16WEMLO)

$$\frac{PN \text{ (bar)}}{10} = PN \text{ (MPa)}$$

Do not create drawings from these dimensions, they are subject to change and ISO manufacturing allowances.

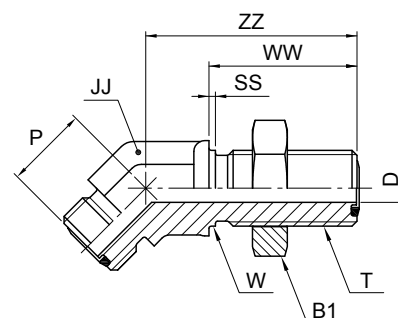
\*JJ may vary in stainless steel

### Maximum bulkhead wallthickness

Size	Tube O.D.		Straight bulkhead union Max. thickness mm	Shape bulkhead union Max. thickness mm
	inch	metric		
4	1/4	6	13.5	13.5
6	3/8	10	13.5	13.5
8	1/2	12	13.5	13.5
10	5/8	14–16	13.2	13.2
12	3/4	18–20	12.7	12.7
16	1	22–25	13.0	13.0
20	1 1/4	28–32	13.0	13.0
24	1 1/2	35–38	13.0	13.0

## WNLO Bulkhead union 45° elbow

O-Lok® ORFS tube ends  
SAE 520801 ISO 8434-3 BHE 45



Tube O.D.		Thread UN/UNF-2A T	B1 mm	D mm	JJ* mm	P mm	SS mm	W mm	WW mm	ZZ mm	Weight (steel) g/1 piece	O-Lok® Steel	PN (bar)
mm	in.												
6	1/4	9/16-18	20.6	4.5	14	16	2	14	32	44	65	<b>4 WNLO-WLNL-S</b>	630
8, 10	5/16, 3/8	11/16-16	25.4	6.5	19	19	2	17	34	49	123	<b>6 WNLO-WLNL-S</b>	630
12	1/2	13/16-16	28.6	9.5	19	21	2	21	37	51	163	<b>8 WNLO-WLNL-S</b>	630
14, 15, 16	5/8	1-14	33.3	12.5	27	24	2	25	41	57	252	<b>10 WNLO-WLNL-S</b>	420
18, 20	3/4	1 3/16-12	38	15.5	30	26	2	30	42	61	386	<b>12 WNLO-WLNL-S</b>	420
22, 25	1	1 7/16-12	44.5	20.5	36	30	2	37	42	65	465	<b>16 WNLO-WLNL-S</b>	420
28, 30, 32	1 1/4	1 11/16-12	50.4	26.0	41	32	2	43	42	67	578	<b>20 WNLO-WLNL-S</b>	350
35, 38	1 1/2	2-12	60.3	32.0	48	37	2	51	42	67	770	<b>24 WNLO-WLNL-S</b>	280

Product delivered with NBR TRAP seal. Replacement of TRAP seal is with a standard NBR O-ring – see page J74–J75.

Part numbers shown are part of our current manufacturing programme.

Imperial and metric parts may vary in hexagon dimensions.

For the version without the locknut remove “WLNL” (e.g. 16 WNLO)

$$\frac{\text{PN (bar)}}{10} = \text{PN (MPa)}$$

Do not create drawings from these dimensions, they are subject to change and ISO manufacturing allowances.

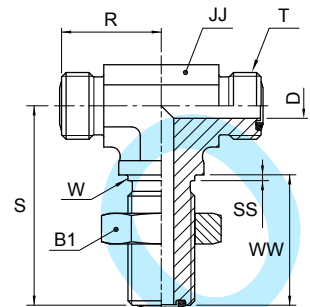
\*JJ may vary in stainless steel

### Maximum bulkhead wallthickness

Size	Tube O.D.		Straight bulkhead union Max. thickness mm	Shape bulkhead union Max. thickness mm
	inch	metric		
4	1/4	6	13.5	13.5
6	3/8	10	13.5	13.5
8	1/2	12	13.5	13.5
10	5/8	14–16	13.2	13.2
12	3/4	18–20	12.7	12.7
16	1	22–25	13.0	13.0
20	1 1/4	28–32	13.0	13.0
24	1 1/2	35–38	13.0	13.0

## WJLO Bulkhead branch tee

O-Lok® ORFS tube ends



Tube O.D.		Thread UN/UNF-2A T	B1 mm	D mm	JJ* mm	R mm	S mm	SS mm	W mm	WW mm	Weight (steel) g/1 piece	O-Lok® Steel	PN (bar)
mm	in.												
6	1/4	9/16-18	20.6	4.5	14	23	47	2	14	32	100	<b>4 WJLO-WLNL-S</b>	630
8, 10	5/16, 3/8	11/16-16	25.4	6.5	19	26	52	2	18	34	178	<b>6 WJLO-WLNL-S</b>	630
12	1/2	13/16-16	28.6	9.5	19	29	55	2	21	37	270	<b>8 WJLO-WLNL-S</b>	630
14, 15, 16	5/8	1-14	33.3	12.5	27	35	63	2	25	41	370	<b>10 WJLO-WLNL-S</b>	420
18, 20	3/4	1 3/16-12	38	15.5	30	39	67	2	30	42	520	<b>12 WJLO-WLNL-S</b>	420
22, 25	1	1 7/16-12	44.5	20.5	36	42	71	2	37	42	680	<b>16 WJLO-WLNL-S</b>	420

Product delivered with NBR TRAP seal. Replacement of TRAP seal is with a standard NBR O-ring – see page J74–J75.

Part numbers shown are part of our current manufacturing programme.

Imperial and metric parts may vary in hexagon dimensions.

For the version without the locknut remove “WLNL” (e.g. 16 WJLO)

$$\frac{\text{PN (bar)}}{10} = \text{PN (MPa)}$$

Do not create drawings from these dimensions, they are subject to change and ISO manufacturing allowances.

\*JJ may vary in stainless steel

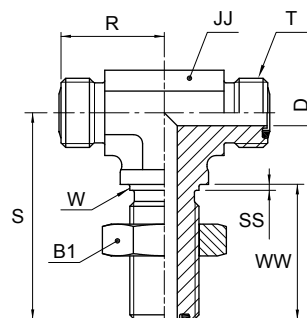
### Maximum bulkhead wallthickness

Size	Tube O.D.		Straight bulkhead union Max. thickness mm	Shape bulkhead union Max. thickness mm
	inch	metric		
4	1/4	6	13.5	13.5
6	3/8	10	13.5	13.5
8	1/2	12	13.5	13.5
10	5/8	14–16	13.2	13.2
12	3/4	18–20	12.7	12.7
16	1	22–25	13.0	13.0
20	1 1/4	28–32	13.0	13.0
24	1 1/2	35–38	13.0	13.0



## WJJLO Bulkhead run tee

O-Lok® ORFS tube ends  
SAE 520958 ISO 8434-3 BHRT



Tube O.D.		Thread UN/UNF-2A T	B1 mm	D mm	JJ* mm	R mm	S mm	SS mm	W mm	WW mm	Weight (steel) g/1 piece	O-Lok® Steel	PN (bar)
mm	in.												
6	1/4	9/16-18	20.6	4.5	14	23	46	2	14	32	99	<b>4 WJJLO-WLNL-S</b>	630
8, 10	5/16, 3/8	11/16-16	25.4	6.5	19	26	52	2	17	34	178	<b>6 WJJLO-WLNL-S</b>	630
12	1/2	13/16-16	28.6	9.5	19	29	55	2	21	37	270	<b>8 WJJLO-WLNL-S</b>	630
14, 15, 16	5/8	1-14	33.3	12.5	27	35	63	2	25	41	368	<b>10 WJJLO-WLNL-S</b>	420
18, 20	3/4	1 3/16-12	38	15.5	30	39	67	2	30	42	516	<b>12 WJJLO-WLNL-S</b>	420
22, 25	1	1 7/16-12	44.5	20.5	36	42	71	2	37	42	678	<b>16 WJJLO-WLNL-S</b>	420
28, 30, 32	1 1/4	1 11/16-12	50.4	26	41	46	71	2	43	42	980	<b>20 WJJLO-WLNL-S</b>	350
35, 38	1 1/2	2-12	60.3	32	48	50	80	2	51	42	1900	<b>24 WJJLO-WLNL-S</b>	280

Product delivered with NBR TRAP seal. Replacement of TRAP seal is with a standard NBR O-ring – see page J74–J75.

Part numbers shown are part of our current manufacturing programme.

Imperial and metric parts may vary in hexagon dimensions.

For the version without the locknut remove “WLNL” (e.g. 16 WJJLO)

$$\frac{\text{PN (bar)}}{10} = \text{PN (MPa)}$$

Do not create drawings from these dimensions, they are subject to change and ISO manufacturing allowances.

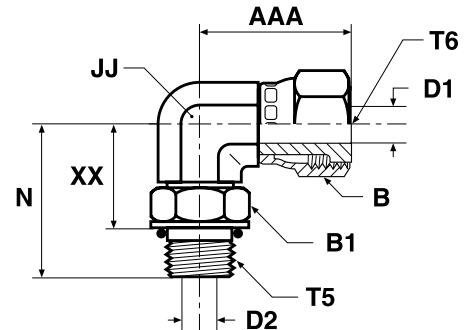
\*JJ may vary in stainless steel

### Maximum bulkhead wallthickness

Size	Tube O.D.		Straight bulkhead union Max. thickness mm	Shape bulkhead union Max. thickness mm
	inch	metric		
4	1/4	6	13.5	13.5
6	3/8	10	13.5	13.5
8	1/2	12	13.5	13.5
10	5/8	14–16	13.2	13.2
12	3/4	18–20	12.7	12.7
16	1	22–25	13.0	13.0
20	1 1/4	28–32	13.0	13.0
24	1 1/2	35–38	13.0	13.0

## AOEL6 Swivel nut stud elbow

O-Lok® ORFS Female swivel end / Male UN/UNF thread – O-ring (ISO 11926)  
SAE 520281



Tube O.D.		Thread UN/UNF-2A T5	Thread UN/UNF-2B T6	AAA	B	B1	D1	D2	JJ*	N	XX	Weight (steel) g/1 piece	O-Lok® Steel	O-Lok® Stainless Steel	PN (bar)	
mm	in.			mm	mm	mm	mm	mm	mm	mm	mm				S	SS
6	1/4	7/16-20	9/16-18	26	18	14	4	4.5	14	33	22	47	<b>4 AOEL6-S</b>	<b>4 AOEL6-SS</b>	420	420
8, 10	5/16, 3/8	9/16-18	11/16-16	30	21	19	6.5	7.5	19	37	25	97	<b>6 AOEL6-S</b>	<b>6 AOEL6-SS</b>	420	420
12	1/2	3/4-16	13/16-16	38	24	24	9	10	19	41	27	104	<b>8 AOEL6-S</b>	<b>8 AOEL6-SS</b>	420	420
14, 15, 16	5/8	7/8-14	1-14	42	29	27	11.5	12.5	27	50	34	199	<b>10 AOEL6-S</b>	<b>10 AOEL6-SS</b>	420	420
18, 20	3/4	1 1/16-12	1 3/16-12	46	35	35	14	15.5	27	55	37	162	<b>12 AOEL6-S</b>	<b>12 AOEL6-SS</b>	420	420
22, 25	1	1 5/16-12	1 7/16-12	53	41	41	20	21.5	33	60	42	365	<b>16 AOEL6-S</b>	<b>16 AOEL6-SS</b>	380	380
28, 30, 32	1 1/4	1 5/8-12	1 11/16-12	58	48	48	26	27.5	41	62	44	480	<b>20 AOEL6-S</b>	<b>20 AOEL6-SS</b>	280	280
35, 38	1 1/2	1 7/8-12	2-12	61	57	54	32	33.5	50	66	47	933	<b>24 AOEL6-S</b>	<b>24 AOEL6-SS</b>	280	280

O-Lok® is delivered with NBR elastomeric seals as standard. For more details on other seal materials see page J74–J75.

Part numbers shown are part of our current manufacturing programme.

Imperial and metric parts may vary in hexagon dimensions.

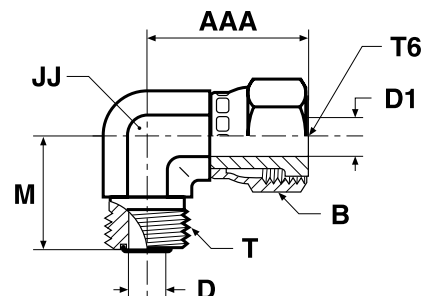
$$\frac{\text{PN (bar)}}{10} = \text{PN (MPa)}$$

Do not create drawings from these dimensions, they are subject to change and ISO manufacturing allowances.

\*JJ may vary in stainless steel

## C6MLO Swivel nut elbow

O-Lok® ORFS Female swivel end / O-Lok® ORFS tube end  
SAE 52M0221 ISO 8434-3 SWE



Tube O.D.		Thread UN/UNF-2A T	Thread UN/UNF-2B T6	AAA mm	B mm	D mm	D1 mm	JJ* mm	M mm	Weight (steel) g/1 piece	O-Lok® Steel	O-Lok® Stainless Steel	PN (bar)	
mm	in.												S	SS
6	1/4	9/16-18	9/16-18	26	17	4.5	4	14	22	45	<b>4C6MLOS</b>	<b>4C6MLOSS</b>	500	420
8, 10	5/16, 3/8	11/16-16	11/16-16	29	22	6.5	6.5	19	25	84	<b>6C6MLOS</b>	<b>6C6MLOSS</b>	630	420
12	1/2	13/16-16	13/16-16	38	24	9.5	9	19	28	126	<b>8C6MLOS</b>	<b>8C6MLOSS</b>	630	420
14, 15, 16	5/8	1-14	1-14	41	30	12.5	11.5	27	33	221	<b>10C6MLOS</b>	<b>10C6MLOSS</b>	420	420
18, 20	3/4	1 3/16-12	1 3/16-12	46	36	15.5	14	30	37	284	<b>12C6MLOS</b>	<b>12C6MLOSS</b>	420	420
22, 25	1	1 7/16-12	1 7/16-12	53	41	20.5	20	36	42	541	<b>16C6MLOS</b>	<b>16C6MLOSS</b>	420	420
28, 30, 32	1 1/4	1 11/16-12	1 11/16-12	58	48	26	26	41	45	557	<b>20 C6LO-S</b>	<b>20C6MLOSS</b>	350	280
35, 38	1 1/2	2-12	2-12	61	57	32	32	48	49	706	<b>24 C6LO-S</b>	<b>24C6MLOSS</b>	280	280

Product delivered with NBR TRAP seal. Replacement of TRAP seal is with a standard NBR O-ring – see page J74–J75.

Part numbers shown are part of our current manufacturing programme.

Imperial and metric parts may vary in hexagon dimensions.

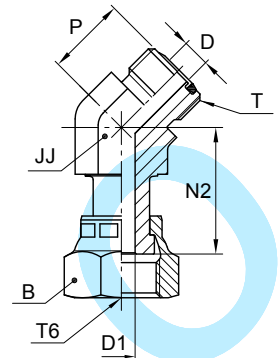
$$\frac{\text{PN (bar)}}{10} = \text{PN (MPa)}$$

Do not create drawings from these dimensions, they are subject to change and ISO manufacturing allowances.

\*JJ may vary in stainless steel

## V6LO 45° Swivel nut elbow

O-Lok® ORFS female swivel end / O-Lok® ORFS tube end



\*JJ – Across wrench flats

Tube O.D.		Thread UN/UNF-2A T	Thread UN/UNF-2B T6	B mm	D mm	D1 mm	JJ* mm	N2 mm	P mm	Weight (steel) g/1 piece	O-Lok® Steel	PN (bar)
mm	in.											
6	1/4	9/16-18	9/16-18	18	4.5	4	14	25	16	44	<b>4 V6LO-S</b>	500
8, 10	5/16, 3/8	11/16-16	11/16-16	22	6.5	6.5	19	30	19	96	<b>6V6MLOS</b>	630
12	1/2	13/16-16	13/16-16	24	9.5	9	19	38	20	110	<b>8 V6LO-S</b>	630
14, 15, 16	5/8	1-14	1-14	30	12.5	11.5	27	42	23	235	<b>10V6MLOS</b>	420
18, 20	3/4	1 3/16-12	1 3/16-12	36	15.5	14	30	46	26	349	<b>12V6MLOS</b>	420
22, 25	1	1 7/16-12	1 7/16-12	41	20.5	20	36	48	30	300	<b>16 V6LO-S</b>	420
28, 30, 32	1 1/4	1 11/16-12	1 11/16-12	48	26	26	41	50	32	444	<b>20 V6LO-S</b>	350
35, 38	1 1/2	2-12	2-12	57	32	32	48	52	37	568	<b>24 V6LO-S</b>	280

Product delivered with NBR TRAP seal. Replacement of TRAP seal is with a standard NBR O-ring – see page J74–J75.

Part numbers shown are part of our current manufacturing programme.

Imperial and metric parts may vary in hexagon dimensions.

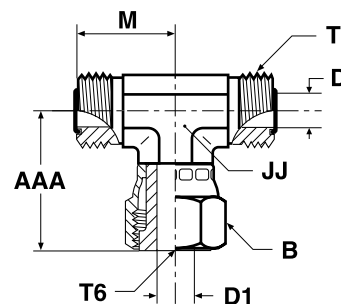
$$\frac{\text{PN (bar)}}{10} = \text{PN (MPa)}$$

Do not create drawings from these dimensions, they are subject to change and ISO manufacturing allowances.

\*JJ may vary in stainless steel

## S6MLO Swivel nut branch tee

O-Lok® ORFS female swivel end / O-Lok® ORFS tube ends  
 SAE 52M0433 ISO 8434-3 SWBT



Tube O.D.		Thread UN/UNF-2A T	Thread UN/UNF-2B T6	AAA mm	B mm	D mm	D1 mm	JJ* mm	M mm	Weight (steel) g/1 piece	O-Lok® Steel	O-Lok® Stainless Steel	PN (bar)	
mm	in.												S	SS
6	1/4	9/16-18	9/16-18	26	17	4.5	4	14	22	66	<b>4S6MLOS</b>	<b>4S6MLOSS</b>	500	420
8, 10	5/16, 3/8	11/16-16	11/16-16	29	22	6.5	6.5	19	25	125	<b>6S6MLOS</b>	<b>6S6MLOSS</b>	630	420
12	1/2	13/16-16	13/16-16	38	24	9.5	9	19	28	150	<b>8S6MLOS</b>	<b>8S6MLOSS</b>	630	420
14, 15, 16	5/8	1-14	1-14	41	30	12.5	11.5	27	33	233	<b>10S6MLOS</b>	<b>10S6MLOSS</b>	420	420
18, 20	3/4	1 3/16-12	1 3/16-12	47	35	15.5	14	30	38	383	<b>12 S6LO-S</b>	<b>12S6MLOSS</b>	420	420
22, 25	1	1 7/16-12	1 7/16-12	54	41	20.5	20	36	42	518	<b>16 S6LO-S</b>	<b>16S6MLOSS</b>	420	420
28, 30, 32	1 1/4	1 11/16-12	1 11/16-12	58	48	26	26	41	45	775	<b>20 S6LO-S</b>	<b>20S6MLOSS</b>	350	280
35, 38	1 1/2	2-12	2-12	61	57	32	32	48	49	933	<b>24 S6LO-S</b>	<b>24S6MLOSS</b>	280	280

Product delivered with NBR TRAP seal. Replacement of TRAP seal is with a standard NBR O-ring – see page J74–J75.

Part numbers shown are part of our current manufacturing programme.

Imperial and metric parts may vary in hexagon dimensions.

$$\frac{\text{PN (bar)}}{10} = \text{PN (MPa)}$$

Do not create drawings from these dimensions, they are subject to change and ISO manufacturing allowances.

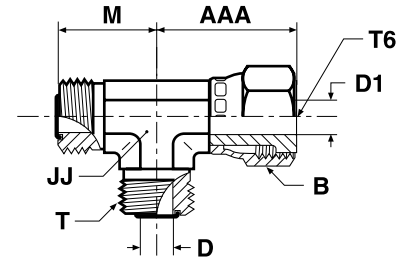
\*JJ may vary in stainless steel

KONVER

J

## R6MLO Swivel nut run tee

O-Lok® ORFS female swivel end / O-Lok® ORFS tube ends  
 SAE 52M0432 ISO 8434-3 SWRT



Tube O.D.		Thread UN/UNF-2A T	Thread UN/UNF-2B T6	AAA mm	B mm	D mm	D1 mm	JJ* mm	M mm	Weight (steel) g/1 piece	O-Lok® Steel	O-Lok® Stainless Steel	PN (bar)	
mm	in.												S	SS
6	1/4	9/16-18	9/16-18	26	17	4.5	4	14	22	66	<b>4R6MLOS</b>	<b>4R6MLOSS</b>	500	420
8, 10	5/16, 3/8	11/16-16	11/16-16	29	22	6.5	6.5	19	25	125	<b>6R6MLOS</b>	<b>6R6MLOSS</b>	630	420
12	1/2	13/16-16	13/16-16	38	24	9.5	9	19	28	150	<b>8R6MLOS</b>	<b>8R6MLOSS</b>	630	420
14, 15, 16	5/8	1-14	1-14	41	30	12.5	11.5	27	33	233	<b>10R6MLOS</b>	<b>10R6MLOSS</b>	420	420
18, 20	3/4	1 3/16-12	1 3/16-12	47	35	15.5	14	30	38	383	<b>12 R6LO-S</b>	<b>12R6MLOSS</b>	420	420
22, 25	1	1 7/16-12	1 7/16-12	54	41	20.5	20	36	42	518	<b>16 R6LO-S</b>	<b>16R6MLOSS</b>	420	420
28, 30, 32	1 1/4	1 11/16-12	1 11/16-12	58	48	26	26	41	45	775	<b>20 R6LO-S</b>	<b>20R6MLOSS</b>	350	280
35, 38	1 1/2	2-12	2-12	61	57	32	32	48	49	933	<b>24 R6LO-S</b>	<b>24R6MLOSS</b>	280	280

Product delivered with NBR TRAP seal. Replacement of TRAP seal is with a standard NBR O-ring – see page J74–J75.

Part numbers shown are part of our current manufacturing programme.

Imperial and metric parts may vary in hexagon dimensions.

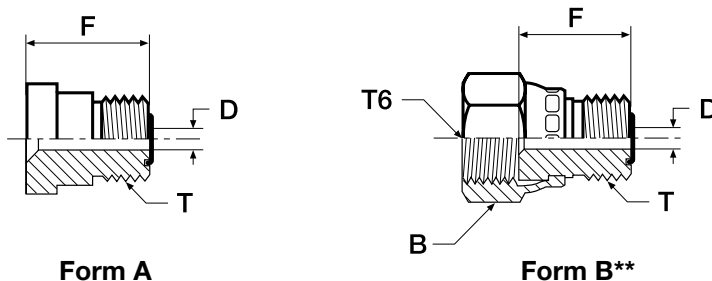
$$\frac{\text{PN (bar)}}{10} = \text{PN (MPa)}$$

Do not create drawings from these dimensions, they are subject to change and ISO manufacturing allowances.

\*JJ may vary in stainless steel

## TRMLO Tube end reducer

O-Lok® ORFS tube end / O-Lok® ORFS swivel female end  
SAE 520123 /A



Tube O.D.		Thread UN/UNF-2A T	Thread UN/UNF-2B T6	B	D	F	Weight (steel)	Form	O-Lok® Steel	O-Lok® Stainless Steel	PN (bar)	
mm	in.			mm	mm	mm	g/1 piece					S
10	3/8	9/16-18	11/16-16	22	4.5	20	21	B	6-4TRMLONS	6-4TRMLONSS	630	420
12	1/2	9/16-18	—	—	4.5	22	30	A	8-4 TRLO-S	8-4TRMLOSS	630	420
12	1/2	11/16-16	13/16-16	24	6.5	22	33	B	8-6TRMLONS	8-6TRMLONSS	630	420
16	5/8	9/16-18	—	—	4.5	23	37	A	10-4 TRLO-S	10-4TRMLOSS	420	420
16	5/8	11/16-16	—	—	6.5	24	48	A	10-6 TRLO-S	10-6TRMLOSS	420	420
16	5/8	13/16-16	—	—	9.5	26	50	A	10-8 TRLO-S	10-8TRMLOSS	420	420
20	3/4	9/16-18	—	—	4.5	25	63	A	12-4 TRLO-S	12-4TRMLOSS	420	420
20	3/4	11/16-16	—	—	6.5	26	66	A	12-6 TRLO-S	12-6TRMLOSS	420	420
20	3/4	13/16-16	—	—	9.5	28	71	A	12-8 TRLO-S	12-8TRMLOSS	420	420
20	3/4	1-14	1 3/16-12	36	12.5	30	85	B	12-10TRMLONS	12-10TRMLONSS	420	420
25	1	13/16-16	—	—	9.5	29	103	A	16-8 TRLO-S	16-8TRMLOSS	420	420
25	1	1-14	—	—	12.5	32	118	A	16-10 TRLO-S	16-10TRMLOSS	420	420
25	1	1 3/16-12	1 7/16-12	41	15.5	33	133	B	16-12 TRLO-S	16-12TRMLONSS	420	420
32	1 1/4	1-14	—	—	12.5	32	163	A	20-10TRLOS	20-10TRMOLSS	420	420
32	1 1/4	1 3/16-12	—	—	15.5	34	169	A	20-12 TRLO-S	20-12TRMLOSS	420	280
32	1 1/4	1 7/16-12	1 11/16-12	48	20.5	38	183	B	20-16 TRLO-S	20-16TRMLONSS	350	280
38	1 1/2	1 7/16-12	—	—	20.5	34	205	A	24-16 TRLO-S	24-16TRMLOSS	350	280
38	1 1/2	1 11/16-12	—	—	26	34	209	A	24-20 TRLO-S	24-20TRMLOSS	350	280
50	2	1 11/16-12	—	—	26	36	420	A	32-20 TRLO-S	32-20TRMLOSS	200	200
50	2	2-12	—	—	32	36	420	A	32-24 TRLO-S	32-24TRMLOSS	200	200

Product delivered with NBR TRAP seal. Replacement of TRAP seal is with a standard NBR O-ring – see page J74-J75.

Part numbers shown are part of our current manufacturing programme.

Imperial and metric parts may vary in hexagon dimensions.

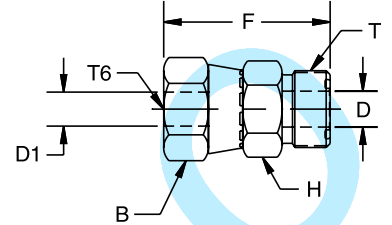
$$\frac{\text{PN (bar)}}{10} = \text{PN (MPa)}$$

Do not create drawings from these dimensions, they are subject to change and ISO manufacturing allowances.

\*\*These size come assembled with a crimp style nut (Form B).

## LOHL6 Tube end expander

O-Lok® ORFS tube end / O-Lok® ORFS female swivel end



Tube O.D.		Thread UN/UNF-2A T	Thread UN/UNF-2B T6	B mm	D mm	D1 mm	H mm	F mm	Weight (steel) g/1 piece	O-Lok® Steel	PN (bar)
mm	in.										
8, 10	5/16, 3/8	11/16-16	9/16-18	18	4	4	19	35	33	<b>6-4 LOHL6-S</b>	630
12	1/2	13/16-16	11/16-16	21	9.5	6.5	22	41	52	<b>8-6 LOHL6-S</b>	630
14, 15, 16	5/8	1-14	13/16-16	24	12.5	9	27	46	92	<b>10-8 LOHL6-S</b>	420
18, 20	3/4	1 3/16-12	1-14	29	15.5	11.5	32	51	146	<b>12-10 LOHL6-S</b>	420
22, 25	1	1 7/16-12	1 3/16-12	35	20.5	14	38	55	205	<b>16-12 LOHL6-S</b>	420
28, 30, 32	1 1/4	1 11/16-12	1 7/16-12	42	26	20	45	58	260	<b>20-16 LOHL6-S</b>	350
35, 38	1 1/2	2-12	1 11/16-12	48	32	26	54	60	315	<b>24-20 LOHL6-S</b>	280

Product delivered with NBR TRAP seal. Replacement of TRAP seal is with a standard NBR O-ring – see page J74–J75.

Part numbers shown are part of our current manufacturing programme.

Imperial and metric parts may vary in hexagon dimensions.

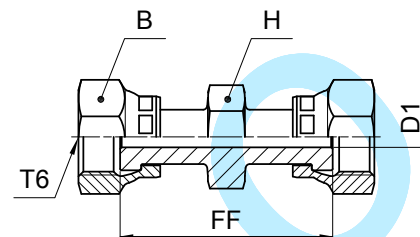
$\frac{\text{PN (bar)}}{10} = \text{PN (MPa)}$

Do not create drawings from these dimensions, they are subject to change and ISO manufacturing allowances.



## HL6 Swivel nut union

O-Lok® ORFS female swivel ends



Tube O.D.		Thread UN/UNF-2B T6	B mm	D1 mm	FF mm	H mm	Weight (steel) g/1 piece	O-Lok® Steel	PN (bar)
mm	in.								
6	1/4	9/16-18	18	4	40	16	53	<b>4 HL6-S</b>	500
8, 10	5/16, 3/8	11/16-16	21	6.5	45	19	66	<b>6 HL6-S</b>	630
12	1/2	13/16-16	24	9	54	22	110	<b>8 HL6-S</b>	630
14, 15, 16	5/8	1-14	29	11.5	62	27	173	<b>10 HL6-S</b>	420
18, 20	3/4	1 3/16-12	35	14	70	32	275	<b>12 HL6-S</b>	420
22, 25	1	1 7/16-12	41	20	75	37	499	<b>16 HL6-S</b>	420

Part numbers shown are part of our current manufacturing programme.

Imperial and metric parts may vary in hexagon dimensions.

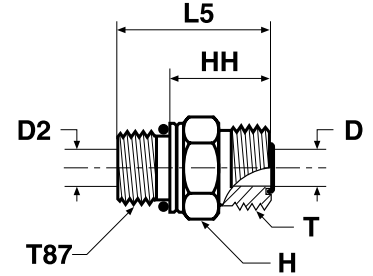
$$\frac{\text{PN (bar)}}{10} = \text{PN (MPa)}$$

Do not create drawings from these dimensions, they are subject to change and ISO manufacturing allowances.

J

## F87OMLO Male stud connector

O-Lok® ORFS tube end / Male metric thread – O-ring (ISO 6149-2)  
 SAE 52M0187 ISO 8434-3 SDS



Tube O.D.		Thread metric T87	Thread UN/UNF-2A T	D mm	D2 mm	H mm	HH mm	L5 mm	Weight (steel) g/1 piece	O-Lok®		PN (bar)	
mm	in.									Steel	Stainless Steel	S	SS
6	1/4	M 10×1.0	9/16-18	4.5	3	17	18	27	20	4M10F87OMLOS	4M10F87OMLOSS	630	630
6	1/4	M 12×1.5	9/16-18	4.5	4	17	18	29	24	4M12F87OMLOS	4M12F87OMLOSS	630	630
6	1/4	M 14×1.5	9/16-18	4.5	4.5	19	19	30	30	4M14F87OMLOS	4M14F87OMLOSS	630	630
6	1/4	M 16×1.5	9/16-18	4.5	7	22	20	33	35	4M16F87OMLOS	4M16F87OMLOSS	630	630
8, 10	5/16, 3/8	M 12×1.5	11/16-16	6.5	4	19	21	32	40	6M12F87OMLOS	6M12F87OMLOSS	630	630
8, 10	5/16, 3/8	M 14×1.5	11/16-16	6.5	6	19	21	32	43	6M14F87OMLOS	6M14F87OMLOSS	630	630
8, 10	5/16, 3/8	M 16×1.5	11/16-16	6.5	6.5	22	21	34	43	6M16F87OMLOS	6M16F87OMLOSS	630	630
8, 10	5/16, 3/8	M 18×1.5	11/16-16	6.5	9	24	22	36	45	6M18F87OMLOS	6M18F87OMLOSS	630	630
8, 10	5/16, 3/8	M 22×1.5	11/16-16	6.5	6.5	27	23	38	52	6M22F87OMLOS	6M22F87OMLOSS	420	420
12	1/2	M 14×1.5	13/16-16	9.5	6	22	24	35	40	8M14F87OMLOS	8M14F87OMLOSS	630	630
12	1/2	M 16×1.5	13/16-16	9.5	7	22	24	37	58	8M16F87OMLOS	8M16F87OMLOSS	630	630
12	1/2	M 18×1.5	13/16-16	9.5	9	24	24	38	55	8M18F87OMLOS	8M18F87OMLOSS	630	630
12	1/2	M 22×1.5	13/16-16	9.5	9.5	27	24	39	60	8M22F87OMLOS	8M22F87OMLOSS	420	420
12	1/2	M 27×2.0	13/16-16	9.5	9.5	32	26	44	70	8M27F87OMLOS	8M27F87OMLOSS	420	420
14, 15, 16	5/8	M 18×1.5	1-14	12.5	9	27	27	41	120	10M18F87OMLOS	10M18F87OMLOSS	420	420
14, 15, 16	5/8	M 22×1.5	1-14	12.5	12	27	27	42	127	10M22F87OMLOS	10M22F87OMLOSS	420	420
14, 15, 16	5/8	M 27×2.0	1-14	12.5	13	32	29	47	177	10M27F87OMLOS	10M27F87OMLOSS	420	420
18, 20	3/4	M 22×1.5	1 3/16-12	15.5	12	32	30	45	170	12M22F87OMLOS	12M22F87OMLOSS	420	420
18, 20	3/4	M 27×2.0	1 3/16-12	15.5	15	32	30	49	187	12M27F87OMLOS	12M27F87OMLOSS	420	420
18, 20	3/4	M 33×2.0	1 3/16-12	15.5	20	41	33	52	200	12M33F87OMLOS	12M33F87OMLOSS	420	420
22, 25	1	M 27×2.0	1 7/16-12	20.5	15	41	34	52	230	16M27F87OMLOS	16M27F87OMLOSS	420	420
22, 25	1	M 33×2.0	1 7/16-12	20.5	20	41	34	52	270	16M33F87OMLOS	16M33F87OMLOSS	420	280
28, 30, 32	1 1/4	M 33×2.0	1 11/16-12	26	20	46	36	54	370	20M33F87OMLOS	20M33F87OMLOSS	420	280
28, 30, 32	1 1/4	M 42×2.0	1 11/16-12	26	26	50	36	55	390	20M42F87OMLOS	20M42F87OMLOSS	420	280
35, 38	1 1/2	M 42×2.0	2-12	32	26	55	36	55	400	24M42F87OMLOS	24M42F87OMLOSS	350	280
35, 38	1 1/2	M 48×2.0	2-12	32	32	55	36	57	412	24M48F87OMLOS	24M48F87OMLOSS	350	280
50	2	M 60×2.0	2 1/2-12	40	40	65	41	65	800	32M60F87OMLOS	32M60F87OMLOSS	200	280

Product delivered with NBR TRAP seal. Replacement of TRAP seal is with a standard NBR O-ring – see page J74–J75.

Part numbers shown are part of our current manufacturing programme.

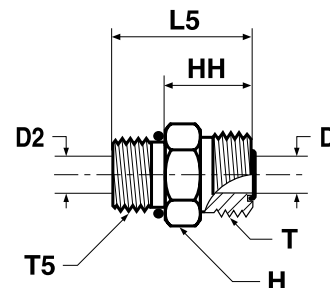
Imperial and metric parts may vary in hexagon dimensions.

$$\frac{\text{PN (bar)}}{10} = \text{PN (MPa)}$$

Do not create drawings from these dimensions, they are subject to change and ISO manufacturing allowances.

## F5OMLO Male stud connector

O-Lok® ORFS tube end / Male UN/UNF thread – O-ring (ISO 11926)  
SAE 520120



Tube O.D.		Thread UN/UNF-2A T5	Thread UN/UNF-2A T	D	D2	H	HH	L5	Weight (steel)	O-Lok® Steel	O-Lok® Stainless Steel	PN (bar)	
mm	in.			mm	mm	mm	mm	mm	g/1 piece			S	SS
6	1/4	7/16-20	9/16-18	4.5	4.5	17	18	29	21	<b>4F5OMLOS</b>	<b>4F5OMLOSS</b>	630	630
6	1/4	1/2-20	9/16-18	4.5	4.5	16	19	30	30	<b>4-5 F5OLO-S</b>	<b>4-5F5OMLOSS</b>	630	630
6	1/4	9/16-18	9/16-18	4.5	7.5	19	19	31	36	<b>4-6F5OMLOS</b>	<b>4-6F5OMLOSS</b>	630	630
6	1/4	3/4-16	9/16-18	4.5	10	22	20	34	67	<b>4-8 F5OLO-S</b>	<b>4-8F5OMLOSS</b>	630	630
8, 10	5/16, 3/8	9/16-18	11/16-16	6.5	6.5	19	20	32	45	<b>6F5OMLOS</b>	<b>6F5OMLOSS</b>	630	630
8, 10	5/16, 3/8	7/16-20	11/16-16	6.5	4.5	19	23	34	47	<b>6-4F5OMLOS</b>	<b>6-4F5OMLOSS</b>	630	630
8, 10	5/16, 3/8	1/2-20	11/16-16	6.5	6	19	20	31	50	<b>6-5 F5OLO-S</b>	<b>6-5F5OMLOSS</b>	630	630
8, 10	5/16, 3/8	3/4-16	11/16-16	6.5	10	22	21	35	51	<b>6-8F5OMLOS</b>	<b>6-8F5OMLOSS</b>	630	630
8, 10	5/16, 3/8	7/8-14	11/16-16	6.5	6.5	27	23	39	89	<b>6-10F5OMLOS</b>	<b>6-10F5OMLOSS</b>	420	420
12	1/2	3/4-16	13/16-16	9.5	9.5	22	23	37	56	<b>8F5OMLOS</b>	<b>8F5OMLOSS</b>	630	630
12	1/2	7/16-20	13/16-16	9.5	4.5	22	25	36	63	<b>8-4 F5OLO-S</b>	<b>8-4F5OMLOSS</b>	630	630
12	1/2	9/16-18	13/16-16	9.5	7.5	22	26	38	69	<b>8-6F5OMLOS</b>	<b>8-6F5OMLOSS</b>	630	630
12	1/2	7/8-14	13/16-16	9.5	9.5	27	24	40	105	<b>8-10F5OMLOS</b>	<b>8-10F5OMLOSS</b>	420	420
12	1/2	1 1/16-12	13/16-16	9.5	9.5	32	26	44	169	<b>8-12F5OMLOS</b>	<b>8-12F5OMLOSS</b>	420	420
12	1/2	1 5/16-12	13/16-16	9.5	21.5	41	27	46	227	<b>8-16F5OMLOS</b>	<b>8-16F5OMLOSS</b>	420	420
14, 15, 16	5/8	7/8-14	1-14	12.5	12.5	27	27	43	137	<b>10F5OMLOS</b>	<b>10F5OMLOSS</b>	420	420
14, 15, 16	5/8	9/16-18	1-14	12.5	7.5	27	30	42	110	<b>10-6 F5OLO-S</b>	<b>10-6F5OMLOSS</b>	420	420
14, 15, 16	5/8	3/4-16	1-14	12.5	10	27	31	45	120	<b>10-8F5OMLOS</b>	<b>10-8F5OMLOSS</b>	420	420
14, 15, 16	5/8	1 1/16-12	1-14	12.5	12.5	32	29	47	170	<b>10-12F5OMLOS</b>	<b>10-12F5OMLOSS</b>	420	420
18, 20	3/4	1 1/16-12	1 3/16-12	15.5	15.5	32	30	49	189	<b>12F5OMLOS</b>	<b>12F5OMLOSS</b>	420	420
18, 20	3/4	3/4-16	1 3/16-12	15.5	10	32	35	49	167	<b>12-8 F5OLO-S</b>	<b>12-8F5OMLOSS</b>	420	420
18, 20	3/4	7/8-14	1 3/16-12	15.5	12.5	32	35	51	177	<b>12-10F5OMLOS</b>	<b>12-10F5OMLOSS</b>	420	420
18, 20	3/4	1 5/16-12	1 3/16-12	15.5	15.5	41	31	50	280	<b>12-16F5OMLOS</b>	<b>12-16F5OMLOSS</b>	420	420
18, 20	3/4	1 5/8-12	1 3/16-12	15.5	27.5	46	32	51	350	<b>12-20F5OMLOS</b>	<b>12-20F5OMLOSS</b>	420	420
22, 25	1	1 5/16-12	1 7/16-12	20.5	20.5	38	32	50	271	<b>16 F5OLO-S</b>	<b>16F5OMLOSS</b>	420	420
22, 25	1	1 1/16-12	1 7/16-12	20.5	15.5	38	36	54	275	<b>16-12 F5OLO-S</b>	<b>16-12F5OMLOSS</b>	420	420
22, 25	1	1 3/16-12	1 7/16-12	20.5	17	38	32	51	279	<b>16-14F5OMLOS</b>	<b>16-14F5OMLOSS</b>	420	420
22, 25	1	1 5/8-12	1 7/16-12	20.5	27.5	48	34	52	428	<b>16-20 F5OLO-S</b>	<b>16-20F5OMLOSS</b>	420	280
28, 30, 32	1 1/4	1 5/8-12	1 11/16-12	26	26	50	34	52	391	<b>20F5OMLOS</b>	<b>20F5OMLOSS</b>	420	280
28, 30, 32	1 1/4	1 5/16-12	1 11/16-12	26	21.5	48	39	58	401		<b>20-16F5OMLOSS</b>		280
28, 30, 32	1 1/4	1 5/16-12	1 11/16-12	26	21.5	46	39	58	430	<b>20-16 F5OLO-S</b>		420	
28, 30, 32	1 1/4	1 7/8-12	1 11/16-12	26	32	54	36	54	557	<b>20-24 F5OLO-S</b>	<b>20-24F5OMLOSS</b>	350	280
35, 38	1 1/2	1 7/8-12	2-12	32	32	54	36	54	412	<b>24 F5OLO-S</b>	<b>24F5OMLOSS</b>	350	280
35, 38	1 1/2	1 5/8-12	2-12	32	27.5	54	41	60	581	<b>24-20 F5OLO-S</b>	<b>24-20F5OMLOSS</b>	350	280
50	2	2 1/2-12	2 1/2-12	45	40	70	40	59	900	<b>32 F5OLO-S</b>	<b>32F5OMLOSS</b>	200	200

Product delivered with NBR TRAP seal. Replacement of TRAP seal is with a standard NBR O-ring – see page J74–J75.

Part numbers shown are part of our current manufacturing programme.

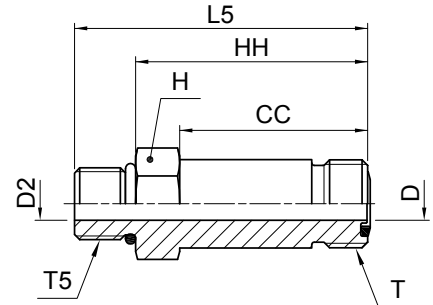
Imperial and metric parts may vary in hexagon dimensions.

$$\frac{\text{PN (bar)}}{10} = \text{PN (MPa)}$$

Do not create drawings from these dimensions, they are subject to change and ISO manufacturing allowances.

## FF5OMLO Extended male stud connector

O-Lok® ORFS tube end / Male UN/UNF thread – O-ring (ISO 11926)  
SAE 521720 (Previously 520122)



Tube O.D.		Thread UN/UNF-2A T5	Thread UN/UNF-2A T	CC mm	D mm	D2 mm	H mm	HH mm	L5 mm	Weight (steel) g/1 piece	O-Lok® Steel	O-Lok® Stainless Steel	PN (bar)	
mm	in.												S	SS
6	1/4	7/16-20	9/16-18	34	4.5	4.5	16	42	53	51	4 FF5OLO-S	4FF5OMLOSS	630	630
8, 10	5/16, 3/8	9/16-18	11/16-16	37	6.5	6.5	19	46	58	79	6 FF5OLO-S	6FF5OMLOSS	630	630
12	1/2	3/4-16	13/16-16	45	9.5	9.5	22	54	68	125	8 FF5OLO-S	8FF5OMLOSS	630	630
14, 15, 16	5/8	7/8-14	1-14	53	12.5	12.5	27	64	80	212	10 FF5OLO-S	10FF5OMLOSS	420	420
18, 20	3/4	1 1/16-12	1 3/16-12	64	15.5	15.5	32	77	96	309	12 FF5OLO-S	12FF5OMLOSS	420	420
22, 25	1	1 5/16-12	1 7/16-12	73	20.5	20.5	38	87	105	435	16 FF5OLO-S	16FF5OMLOSS	420	420
28, 30, 32	1 1/4	1 5/8-12	1 11/16-12	86	26	26	48	102	121	818	20 FF5OLO-S	20FF5OMLOSS	420	280
35, 38	1 1/2	1 7/8-12	2-12	97	32	32	54	115	134	1430	24 FF5OLO-S	24FF5OMLOSS	350	280

Product delivered with NBR TRAP seal. Replacement of TRAP seal is with a standard NBR O-ring – see page J74–J75.

Part numbers shown are part of our current manufacturing programme.

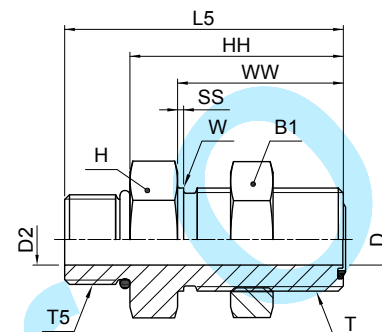
Imperial and metric parts may vary in hexagon dimensions.

$$\frac{\text{PN (bar)}}{10} = \text{PN (MPa)}$$

Do not create drawings from these dimensions, they are subject to change and ISO manufacturing allowances.

## WF5OLO Bulkhead male connector

O-Lok® ORFS tube end / Male UN/UNF – O-ring (ISO 11926)



Tube O.D.		Thread UN/UNF-2A T	Thread UN/UNF-2A T5	B1	D	D2	H	HH	L5	SS	W	WW	Weight (steel) g/1 piece	O-Lok® Steel	PN (bar)
mm	in.			mm	mm	mm	mm	mm	mm	mm	mm	mm			
6	1/4	9/16-18	7/16-20	21	4.5	4.5	21	43	54	2	14	32	75	<b>4 WF5OLO-WLNL-S</b>	630
8, 10	5/16, 3/8	11/16-16	9/16-18	25	6.5	6.5	25	47	59	2	18	34	112	<b>6 WF5OLO-WLNL-S</b>	630
12	1/2	13/16-16	3/4-16	29	9.5	9.5	29	52	66	2	21	37	147	<b>8 WF5OLO-WLNL-S</b>	630
14, 15, 16	5/8	1-14	7/8-14	33	12.5	12.5	33	52	68	2	25	41	295	<b>10 WF5OLO-WLNL-S</b>	420
18, 20	3/4	1 3/16-12	1 1/16-12	38	15.5	15.5	38	55	73	2	30	42	330	<b>12 WF5OLO-WLNL-S</b>	420

Product delivered with NBR TRAP seal. Replacement of TRAP seal is with a standard NBR O-ring – see page J74–J75.

Part numbers shown are part of our current manufacturing programme.

Imperial and metric parts may vary in hexagon dimensions.

For the version without the locknut remove “WLNL” (e.g. 12 WF5OLO)

$$\frac{PN \text{ (bar)}}{10} = PN \text{ (MPa)}$$

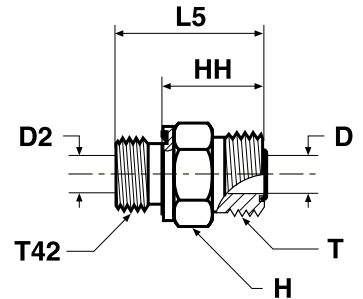
Do not create drawings from these dimensions, they are subject to change and ISO manufacturing allowances.

J

KONVER

## F42EDMLO Male stud connector

O-Lok® ORFS tube end / Male BSPP thread – ED seal (ISO 1179)



Tube O.D.		BSPP male thread T42	Thread UN/UNF-2A T	D mm	D2 mm	H mm	HH mm	L5 mm	Weight (steel) g/1 piece	O-Lok® Steel	O-Lok® Stainless Steel	PN (bar)	
mm	in.											S	SS
6	1/4	1/8-28	9/16-18	4.5	4	17	18	26	29	4F42EDMLOS	4F42EDMLOSS	630	630
6	1/4	1/4-19	9/16-18	4.5	4.5	19	19	31	42	4-4F42EDMLOS	4-4F42EDMLOSS	630	630
6	1/4	3/8-19	9/16-18	4.5	4.5	22	20	32	61	4-6F42EDMLOS	4-6F42EDMLOSS	630	630
6	1/4	1/2-14	9/16-18	4.5	4.5	27	22	36	119	4-8F42EDMLOS	4-8F42EDMLOSS	420	420
8, 10	5/16, 3/8	1/4-19	11/16-16	6.5	5	19	20	32	45	6F42EDMLOS	6F42EDMLOSS	630	630
8, 10	5/16, 3/8	1/8-28	11/16-16	6.5	4	19	23	31	44	6-2F42EDMLOS	6-2F42EDMLOSS	630	630
8, 10	5/16, 3/8	3/8-19	11/16-16	6.5	6.5	22	21	33	63	6-6F42EDMLOS	6-6F42EDMLOSS	630	630
8, 10	5/16, 3/8	1/2-14	11/16-16	6.5	6.5	27	23	37	122	6-8F42EDMLOS	6-8F42EDMLOSS	420	420
8, 10	5/16, 3/8	3/4-14	11/16-16	6.5	16	32	24	40	192	6-12F42EDMLOS	6-12F42EDMLOSS	420	420
12	1/2	3/8-19	13/16-16	9.5	8	22	23	35	196	8F42EDMLOS	8F42EDMLOSS	630	630
12	1/2	1/4-19	13/16-16	9.5	5	22	26	38	193	8-4F42EDMLOS	8-4F42EDMLOSS	630	630
12	1/2	1/2-14	13/16-16	9.5	9.5	27	25	39	198	8-8F42EDMLOS	8-8F42EDMLOSS	420	420
12	1/2	3/4-14	13/16-16	9.5	9.5	32	26	42	205	8-12F42EDMLOS	8-12F42EDMLOSS	420	420
14, 15, 16	5/8	1/2-14	1-14	12.5	12.5	27	27	41	332	10F42EDMLOS	10F42EDMLOSS	420	420
14, 15, 16	5/8	3/8-19	1-14	12.5	8	27	31	43	315	10-6F42EDMLOS	10-6F42EDMLOSS	420	420
14, 15, 16	5/8	3/4-14	1-14	12.5	12.5	32	29	45	348	10-12F42EDMLOS	10-12F42EDMLOSS	420	420
14, 15, 16	5/8	1-11	1-14	12.5	12.5	41	30	48	360	10-16F42EDMLOS	10-16F42EDMLOSS	420	420
18, 20	3/4	3/4-14	1 3/16-12	15.5	15.5	32	30	46	200	12F42EDMLOS	12F42EDMLOSS	420	420
18, 20	3/4	1/2-14	1 3/16-12	15.5	12	32	35	49	183	12-8F42EDMLOS	12-8F42EDMLOSS	420	420
18, 20	3/4	1-11	1 3/16-12	15.5	15.5	41	32	50	362	12-16F42EDMLOS	12-16F42EDMLOSS	420	420
18, 20	3/4	1 1/4-11	1 3/16-12	15.5	16	50	34	54	505	12-20F42EDMLOS	12-20F42EDMLOSS	420	420
22, 25	1	1-11	1 7/16-12	20.5	20	41	32	50	343	16F42EDMLOS	16F42EDMLOSS	420	420
22, 25	1	1/2-14	1 7/16-12	20.5	12	41	36	50	380	16-8F42EDMLOS	16-8F42EDMLOSS	420	420
22, 25	1	3/4-14	1 7/16-12	20.5	16	41	36	52	411	16-12F42EDMLOS	16-12F42EDMLOSS	420	420
22, 25	1	1 1/4-11	1 7/16-12	20.5	20.5	50	34	54	487	16-20F42EDMLOS	16-20F42EDMLOSS	420	420
22, 25	1	1 1/2-11	1 7/16-12	20.5	20.5	55	36	58	715	16-24F42EDMLOS	16-24F42EDMLOSS	350	280
28, 30, 32	1 1/4	1 1/4-11	1 11/16-12	25	25	50	34	54	454	20F42EDMLOS	20F42EDMLOSS	420	280
28, 30, 32	1 1/4	3/4-14	1 11/16-12	26	16	46	37	53	362	20-12F42EDMLOS	20-12F42EDMLOSS	420	280
28, 30, 32	1 1/4	1-11	1 11/16-12	26	20	46	39	57	412	20-16F42EDMLOS	20-16F42EDMLOSS	420	280
28, 30, 32	1 1/4	1 1/2-11	1 11/16-12	26	26	55	36	58	532	20-24F42EDMLOS	20-24F42EDMLOSS	350	280
35, 38	1 1/2	1 1/2-11	2-12	32	32	55	36	58	585	24F42EDMLOS	24F42EDMLOSS	350	280
35, 38	1 1/2	1-11	2-12	32	20	55	41	59	471	24-16F42EDMLOS	24-16F42EDMLOSS	350	280
35, 38	1 1/2	1 1/4-11	2-12	32	25	55	41	61	540	24-20F42EDMLOS	24-20F42EDMLOSS	350	280

Product delivered with NBR TRAP seal. Replacement of TRAP seal is with a standard NBR O-ring – see page J74-J75.

Part numbers shown are part of our current manufacturing programme.

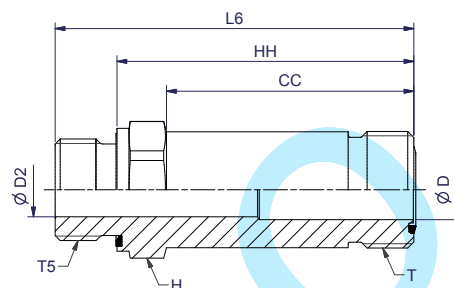
Imperial and metric parts may vary in hexagon dimensions.

$$\frac{\text{PN (bar)}}{10} = \text{PN (MPa)}$$

Do not create drawings from these dimensions, they are subject to change and ISO manufacturing allowances.

## FF42EDMLO Extended male stud connector

O-Lok® ORFS tube end / Male BSPP thread - ED seal (ISO 1179-2)



Tube O.D.		Thread UN/UNF-2A	Thread BSPP	CC mm	D mm	D2 mm	H mm	HH mm	L6 mm	Weight (steel) g/1 piece	O-Lok® Steel	O-Lok® Stainless Steel	PN (bar)	
mm	inch												S	SS
8, 10	5/16, 3/8	11/16-16	1/4-19	37	7	5	19	46	58	<b>80</b>	<b>6FF42EDMLOS</b>	<b>6FF42EDMLOSS</b>	630	630
12	1/2	13/16-16	3/8-14	44	10	8	22	54	66	<b>130</b>	<b>8FF42EDMLOS</b>	<b>8FF42EDMLOSS</b>	630	630
14, 15, 16	5/8	1-14	1/2-14	52	13	13	27	63	77	<b>200</b>	<b>10FF42EDMLOS</b>	<b>10FF42EDMLOSS</b>	420	420
18, 20	3/4	1 3/16-12	3/4-14	64	16	16	32	74	93	<b>360</b>	<b>12FF42EDMLOS</b>	<b>12FF42EDMLOSS</b>	420	420

Product delivered with NBR TRAP seal. Replacement of TRAP seal is with a standard NBR O-ring – see page J74–J75.

Order codes shown are part of our current manufacturing programme.

Imperial and metric parts may vary in hexagon dimensions.

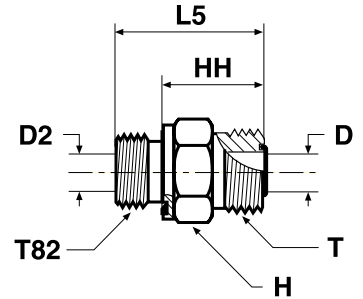
$$\frac{\text{PN (bar)}}{10} = \text{PN (MPa)}$$

Do not create drawings from these dimensions, they are subject to change and ISO manufacturing allowances.

J

## F82EDMLO Male stud connector

O-Lok® ORFS tube end / Male metric thread – ED seal (ISO 9974)



Tube O.D.		Thread metric T82	Thread UN/UNF-2A T	D mm	D2 mm	H mm	HH mm	L5 mm	Weight (steel) g/1 piece	O-Lok®		PN (bar)	
mm	in.									Steel	Stainless Steel	S	SS
6	1/4	M 10×1.0	9/16-18	4.5	4	17	18	26	20	4M10F82EDMLOS	4M10F82EDMLOSS	630	630
6	1/4	M 12×1.5	9/16-18	4.5	4	17	18	30	24	4M12F82EDMLOS	4M12F82EDMLOSS	630	630
6	1/4	M 14×1.5	9/16-18	4.5	4.5	19	19	31	29	4M14F82EDMLOS	4M14F82EDMLOSS	630	630
6	1/4	M 16×1.5	9/16-18	4.5	7	22	19	31	33	4M16F82EDMLOS	4M16F82EDMLOSS	630	630
8, 10	5/16, 3/8	M 12×1.5	11/16-16	6.5	4	19	23	35	35	6M12F82EDMLOS	6M12F82EDMLOSS	630	630
8, 10	5/16, 3/8	M 14×1.5	11/16-16	6.5	5	19	20	32	40	6M14F82EDMLOS	6M14F82EDMLOSS	630	630
8, 10	5/16, 3/8	M 16×1.5	11/16-16	6.5	6.5	22	20	32	43	6M16F82EDMLOS	6M16F82EDMLOSS	630	630
8, 10	5/16, 3/8	M 18×1.5	11/16-16	6.5	6.5	24	21	33	70	6M18F82EDMLOS	6M18F82EDMLOSS	630	630
8, 10	5/16, 3/8	M 22×1.5	11/16-16	6.5	12	27	23	37	83	6M22F82EDMLOS	6M22F82EDMLOSS	630	630
12	1/2	M 12×1.5	13/16-16	9.5	4	22	24	36	58	8M12F82EDMLOS	8M12F82EDMLOSS	630	630
12	1/2	M 14×1.5	13/16-16	9.5	5	22	23	35	57	8M14F82EDMLOS	8M14F82EDMLOSS	630	630
12	1/2	M 16×1.5	13/16-16	9.5	7	22	26	38	49	8M16F82EDMLOS	8M16F82EDMLOSS	630	630
12	1/2	M 18×1.5	13/16-16	9.5	8	24	23	35	55	8M18F82EDMLOS	8M18F82EDMLOSS	630	630
12	1/2	M 26×1.5	13/16-16	9.5	9.5	32	26	42	148	8M26F82EDMLOS	8M26F82EDMLOSS	420	420
14, 15, 16	5/8	M 16×1.5	1-14	12.5	7	27	30	42	70	10M16F82EDMLOS	10M16F82EDMLOSS	420	420
14, 15, 16	5/8	M 18×1.5	1-14	12.5	8	27	31	43	85	10M18F82EDMLOS	10M18F82EDMLOSS	420	420
14, 15, 16	5/8	M 22×1.5	1-14	12.5	12	27	27	41	127	10M22F82EDMLOS	10M22F82EDMLOSS	420	420
14, 15, 16	5/8	M 26×1.5	1-14	12.5	18	32	31	47	170	10M26F82EDMLOS	10M26F82EDMLOSS	420	420
18, 20	3/4	M 18×1.5	1 3/16-12	15.5	8	32	35	47	184	12M18F82EDMLOS	12M18F82EDMLOSS	420	420
18, 20	3/4	M 22×1.5	1 3/16-12	15.5	12	32	35	47	173	12M22F82EDMLOS	12M22F82EDMLOSS	420	420
18, 20	3/4	M 27×2.0	1 3/16-12	15.5	15.5	32	30	46	187	12M27F82EDMLOS	12M27F82EDMLOSS	420	420
22, 25	1	M 33×2.0	1 7/16-12	26.5	20.5	41	32	50	270	16M33F82EDMLOS	16M33F82EDMLOSS	420	420
28, 30, 32	1 1/4	M 42×2.0	1 11/16-12	26	25	50	34	54	390	20M42F82EDMLOS	20M42F82EDMLOSS	420	280
35, 38	1 1/2	M 48×2.0	2-12	32	32	55	36	58	412	24M48F82EDMLOS	24M48F82EDMLOSS	350	280

Product delivered with NBR TRAP seal. Replacement of TRAP seal is with a standard NBR O-ring – see page J74–J75.

Part numbers shown are part of our current manufacturing programme.

Imperial and metric parts may vary in hexagon dimensions.

$$\frac{\text{PN (bar)}}{10} = \text{PN (MPa)}$$

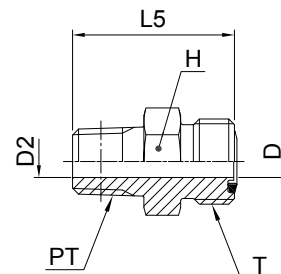
Do not create drawings from these dimensions, they are subject to change and ISO manufacturing allowances.



## FLO Male stud connector

O-Lok® ORFS tube end / Male NPTF\* thread (SAE J476)

\*Stainless Steel = NPT to prevent galling



Tube O.D.		Thread NPTF PT	Thread UN/UNF-2A T	D mm	D2 mm	L5 mm	H mm	Weight (steel) g/1 piece	O-Lok® Steel	O-Lok® Stainless Steel	PN (bar)	
mm	in.										S	SS
6	1/4	1/8-27	9/16-18	4.5	4.5	27	16	26	<b>4 FLO-S</b>	<b>4 FLO-SS</b>	420	420
6	1/4	1/4-18	9/16-18	4.5	4.5	32	16	34	<b>4-4 FLO-S</b>	<b>4-4 FLO-SS</b>	420	420
6	1/4	3/8-18	9/16-18	4.5	4.5	34	19	47	<b>4-6 FLO-S</b>	<b>4-6 FLO-SS</b>	420	420
8, 10	5/16, 3/8	1/4-18	11/16-16	6.5	6.5	32	19	39	<b>6 FLO-S</b>	<b>6 FLO-SS</b>	420	420
8, 10	5/16, 3/8	3/8-18	11/16-16	6.5	6.5	34	19	52	<b>6-6 FLO-S</b>	<b>6-6 FLO-SS</b>	420	420
8, 10	5/16, 3/8	1/2-14	11/16-16	6.5	6.5	39	22	82	<b>6-8 FLO-S</b>	<b>6-8 FLO-SS</b>	420	420
12	1/2	3/8-18	13/16-16	9.5	9.5	38	22	83	<b>8 FLO-S</b>	<b>8 FLO-SS</b>	420	420
12	1/2	1/2-14	13/16-16	9.5	6.5	42	22	84	<b>8-8 FLO-S</b>	<b>8-8 FLO-SS</b>	420	420
12	1/2	3/4-14	13/16-16	9.5	9.5	43	29	166	<b>8-12 FLO-S</b>	<b>8-12 FLO-SS</b>	380	350
14, 15, 16	5/8	1/2-14	1-14	12.5	12.5	46	27	115	<b>10 FLO-S</b>	<b>10 FLO-SS</b>	420	420
14, 15, 16	5/8	3/4-14	1-14	12.5	12.5	46	29	138	<b>10-12 FLO-S</b>	<b>10-12 FLO-SS</b>	380	350
18, 20	3/4	3/4-14	1 3/16-12	15.5	15.5	49	32	179	<b>12 FLO-S</b>	<b>12 FLO-SS</b>	380	350
18, 20	3/4	1/2-14	1 3/16-12	15.5	13.5	49	32	165	<b>12-8 FLO-S</b>	<b>12-8 FLO-SS</b>	420	420
18, 20	3/4	1-11.5	1 3/16-12	15.5	15.5	54	35	225	<b>12-16 FLO-S</b>	<b>12-16 FLO-SS</b>	310	210
22, 25	1	1-11.5	1 7/16-12	20.5	20.5	56	38	271	<b>16 FLO-S</b>	<b>16 FLO-SS</b>	310	210
22, 25	1	3/4-14	1 7/16-12	20.5	18.3	51	38	238	<b>16-12 FLO-S</b>	<b>16-12 FLO-SS</b>	380	350
28, 30, 32	1 1/4	1 1/4-11.5	1 11/16-12	26	26	58	48	424	<b>20 FLO-S</b>	<b>20 FLO-SS</b>	210	210
35, 38	1 1/2	1 1/2-11.5	2-12	32	32	61	54	534	<b>24 FLO-S</b>	<b>24 FLO-SS</b>	200	175

Product delivered with NBR TRAP seal. Replacement of TRAP seal is with a standard NBR O-ring – see page J74–J75.

Part numbers shown are part of our current manufacturing programme.

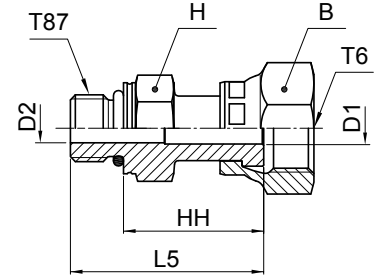
Imperial and metric parts may vary in hexagon dimensions.

$$\frac{\text{PN (bar)}}{10} = \text{PN (MPa)}$$

Do not create drawings from these dimensions, they are subject to change and ISO manufacturing allowances.

## F687OML Swivel male stud

O-Lok® ORFS Female swivel end / Male metric thread – O-ring (ISO 6149-2)



Tube O.D.		Thread metric T87	Thread UN/UNF-2B T6	B mm	H mm	D1 mm	D2 mm	L5 mm	HH mm	Weight (steel) g/1 piece	O-Lok®		PN (bar)	
mm	in.										Steel	Stainless Steel	S	SS
6	1/4	M 12×1.5	9/16-18	17	17	4	4	38	27	53	<b>4M12F687OMLS</b>	<b>4M12F687OMLS</b>	500	420
8, 10	3/8	M 14×1.5	11/16-16	22	19	6.5	6	40	29	72	<b>6M14F687OMLS</b>	<b>6M14F687OMLS</b>	630	420
8, 10	3/8	M 16×1.5	11/16-16	22	22	7	7	42	29	85	<b>6M16F687OMLS</b>	<b>6M16F687OMLS</b>	630	420
12	1/2	M 16×1.5	13/16-16	24	22	9	7	49	36	110	<b>8M16F687OMLS</b>	<b>8M16F687OMLS</b>	630	420
14, 15, 16	5/8	M 22×1.5	1-14	30	27	11.5	11.5	53	38	173	<b>10M22F687OMLS</b>	<b>10M22F687OMLS</b>	420	400
18, 20	3/4	M 22×1.5	1 3/16-12	36	30	14	12	57	42	230	<b>12M22F687OMLS</b>	<b>12M22F687OMLS</b>	420	400
18, 20	3/4	M 27×2.0	1 3/16-12	36	32	14	14	61	42	275	<b>12M27F687OMLS</b>	<b>12M27F687OMLS</b>	420	400
22, 25	1	M 33×2.0	1 7/16-12	41	41	20	20	68	49	462	<b>16M33F687OMLS</b>	<b>16M33F687OMLS</b>	420	400
28, 30, 32	1 1/4	M 42×2.0	1 11/16-12	50	50	26	26	71	52	622	<b>20M42F687OMLS</b>	<b>20M42F687OMLS</b>	350	280
35, 38	1 1/2	M 48×2.0	2-12	60	55	32	32	71	50	885	<b>24M48F687OMLS</b>	<b>24M48F687OMLS</b>	280	280

O-Lok® is delivered with NBR elastomeric seals as standard. For more details on other seal materials see page J74–J75.

Part numbers shown are part of our current manufacturing programme.

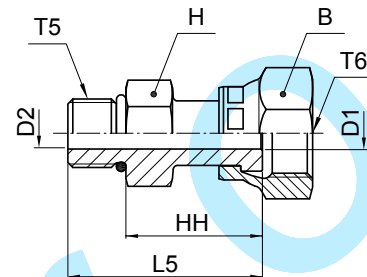
Imperial and metric parts may vary in hexagon dimensions.

$$\frac{\text{PN (bar)}}{10} = \text{PN (MPa)}$$

Do not create drawings from these dimensions, they are subject to change and ISO manufacturing allowances.

## F65OL Swivel male stud

O-Lok® ORFS female swivel end / Male UN/UNF thread – O-ring (ISO 11926)  
SAE 520181



Tube O.D. mm	Tube O.D. in.	Thread UN/UNF-2A T5	Thread UN/UNF-2B T6	B mm	D1 mm	D2 mm	H mm	HH mm	L5 mm	Weight (steel) g/1 piece	O-Lok® Steel	PN (bar)
6	1/4	7/16-20	9/16-18	18	4	4	16	26	37	53	<b>4 F65OL-S</b>	500
8, 10	5/16, 3/8	9/16-18	11/16-16	21	6.5	6.5	19	28	40	66	<b>6 F65OL-S</b>	630
12	1/2	3/4-16	13/16-16	24	9	9	22	36	50	110	<b>8 F65OL-S</b>	630
14, 15, 16	5/8	7/8-14	1-14	29	11.5	12.5	27	38	54	173	<b>10 F65OL-S</b>	420
18, 20	3/4	1 1/16-12	1 3/16-12	35	14	15.5	32	41	59	275	<b>12 F65OL-S</b>	420
22, 25	1	1 5/16-12	1 7/16-12	41	20	20	38	49	68	462	<b>16 F65OL-S</b>	420
28, 30, 32	1 1/4	1 5/8-12	1 11/16-12	48	26	26	48	49	68	622	<b>20 F65OL-S</b>	350

O-Lok® is delivered with NBR elastomeric seals as standard. For more details on other seal materials see page J74–J75.

Part numbers shown are part of our current manufacturing programme.

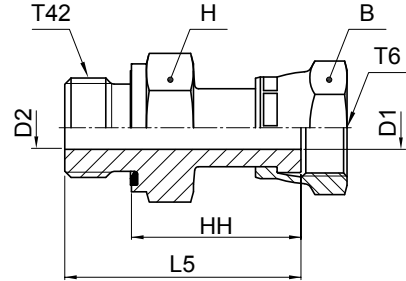
Imperial and metric parts may vary in hexagon dimensions.

$$\frac{\text{PN (bar)}}{10} = \text{PN (MPa)}$$

Do not create drawings from these dimensions, they are subject to change and ISO manufacturing allowances.

## F642EDML Swivel male stud

O-Lok® ORFS Swivel female end / Male BSPP thread – ED seal (ISO 1179)



Tube O.D.		Thread BSPP T42	Thread UN/UNF-2B T6	B mm	H mm	D1 mm	D2 mm	L5 mm	HH mm	Weight (steel) g/1 piece	O-Lok®		PN (bar)	
mm	in.										Steel	Stainless Steel	S	SS
6	1/4	1/8-28	9/16-18	17	14	4	4	35	27	43	<b>4F642EDMLS</b>	<b>4F642EDMLSS</b>	500	420
6	1/4	1/4-19	9/16-18	17	19	4	4	39	27	59	<b>4-4F642EDMLS</b>	<b>4-4F642EDMLSS</b>	500	420
8, 10	5/16, 3/8	1/4-19	11/16-16	22	19	6.5	5	41	29	72	<b>6F642EDMLS</b>	<b>6F642EDMLSS</b>	630	420
8, 10	5/16, 3/8	3/8-19	11/16-16	22	22	6.5	6.5	41	29	86	<b>6-6F642EDMLS</b>	<b>6-6F642EDMLSS</b>	630	420
8, 10	5/16, 3/8	1/2-14	11/16-16	22	27	6.5	6.5	43	29	92	<b>6-8F642EDMLS</b>	<b>6-8F642EDMLSS</b>	420	420
12	1/2	3/8-19	13/16-16	24	22	9	8	48	36	104	<b>8F642EDMLS</b>	<b>8F642EDMLSS</b>	630	420
12	1/2	1/4-19	13/16-16	24	22	9	5	48	36	98	<b>8-4F642EDMLS</b>	<b>8-4F642EDMLSS</b>	630	420
12	1/2	1/2-14	13/16-16	24	27	9	9	50	36	142	<b>8-8F642EDMLS</b>	<b>8-8F642EDMLSS</b>	420	420
14, 15, 16	5/8	1/2-14	1-14	30	27	11.5	11.5	52	38	165	<b>10F642EDMLS</b>	<b>10F642EDMLSS</b>	420	420
14, 15, 16	5/8	3/4-14	1-14	30	32	11.5	11.5	54	38	185	<b>10-12F642EDMLS</b>	<b>10-12F642EDMLSS</b>	420	420
18, 20	3/4	3/4-14	1 3/16-12	36	32	14	14	58	42	266	<b>12F642EDMLS</b>	<b>12F642EDMLSS</b>	420	420
18, 20	3/4	1/2-14	1 3/16-12	36	30	14	12	56	42	220	<b>12-8F642EDMLS</b>	<b>12-8F642EDMLSS</b>	420	420
22, 25	1	1-11	1 7/16-12	41	41	20	20	67	49	414	<b>16F642EDMLS</b>	<b>16F642EDMLSS</b>	420	420
28, 30, 32	1 1/4	1-11	1 11/16-12	50	46	26	20	67	49	655	<b>20-16F642EDMLS</b>	<b>20-16F642EDMLSS</b>	350	280
28, 30, 32	1 1/4	1 1/4-11	1 11/16-12	50	50	26	25	69	49	623	<b>20F642EDMLS</b>	<b>20F642EDMLSS</b>	350	280
35, 38	1 1/2	1 1/2-11	2-12	60	55	32	32	72	50	885	<b>24F642EDMLS</b>	<b>24F642EDMLSS</b>	280	280

O-Lok® is delivered with NBR elastomeric seals as standard. For more details on other seal materials see page J74-J75.

Part numbers shown are part of our current manufacturing programme.

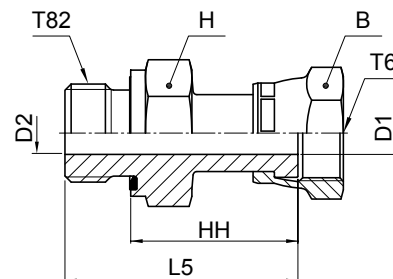
Imperial and metric parts may vary in hexagon dimensions.

$$\frac{\text{PN (bar)}}{10} = \text{PN (MPa)}$$

Do not create drawings from these dimensions, they are subject to change and ISO manufacturing allowances.

## F682EDML Swivel male stud

O-Lok® ORFS Swivel female end / Male metric thread – ED seal (ISO 9974)



Tube O.D.		Thread metric T82	Thread UN/UNF-2B T6	B mm	H mm	D1 mm	D2 mm	L5 mm	HH mm	Weight (steel) g/1 piece	O-Lok®		PN (bar)	
mm	in.										Steel	Stainless Steel	S	SS
6	1/4	M 12×1.5	9/16-18	17	17	4	4	39	27	56	<b>4M12F682EDMLS</b>	<b>4M12F682EDMLSS</b>	500	420
8, 10	5/16, 3/8	M 12×1.5	11/16-16	22	19	6.5	4	41	29	70	<b>6M12F682EDMLS</b>	<b>6M12F682EDMLSS</b>	500	420
8, 10	5/16, 3/8	M 14×1.5	11/16-16	22	19	6.5	5	41	29	73	<b>6M14F682EDMLS</b>	<b>6M14F682EDMLSS</b>	630	420
8, 10	5/16, 3/8	M 16×1.5	11/16-16	22	22	6.5	6.5	41	29	85	<b>6M16F682EDMLS</b>	<b>6M16F682EDMLSS</b>	630	420
12	1/2	M 16×1.5	13/16-16	24	22	9	7	48	36	109	<b>8M16F682EDMLS</b>	<b>8M16F682EDMLSS</b>	630	420
14, 15, 16	5/8	M 22×1.5	1-14	30	27	11.5	11.5	53	39	165	<b>10M22F682EDMLS</b>	<b>10M22F682EDMLSS</b>	420	420
18, 20	3/4	M 27×2.0	1 3/16-12	36	32	14	14	58	42	282	<b>12M27F682EDMLS</b>	<b>12M27F682EDMLSS</b>	420	420
22, 25	1	M 33×2.0	1 7/16-12	41	41	20	20	68	50	467	<b>16M33F682EDMLS</b>	<b>16M33F682EDMLSS</b>	420	420
28, 30, 32	1 1/4	M 42×2.0	1 11/16-12	50	50	26	26	70	50	635	<b>20M42F682EDMLS</b>	<b>20M42F682EDMLSS</b>	350	280
35, 38	1 1/2	M 48×2.0	2-12	60	55	32	32	72	50	885	<b>24M48F682EDMLS</b>	<b>24M48F682EDMLSS</b>	280	280

O-Lok® is delivered with NBR elastomeric seals as standard. For more details on other seal materials see page J74–J75.

Part numbers shown are part of our current manufacturing programme.

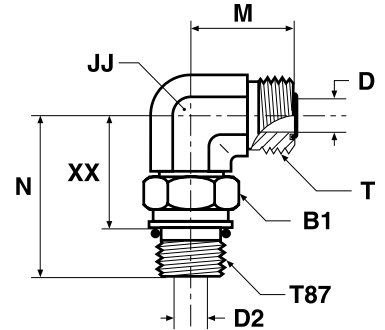
Imperial and metric parts may vary in hexagon dimensions.

$$\frac{\text{PN (bar)}}{10} = \text{PN (MPa)}$$

Do not create drawings from these dimensions, they are subject to change and ISO manufacturing allowances.

### C87OMLO Male stud elbow

O-Lok® ORFS tube end / Male metric thread – O-ring (ISO 6149-2)  
 SAE 52M0287 ISO 8434-3 SDE



Tube O.D.		Thread metric T87	Thread UN/UNF-2B T	B1 mm	D mm	D2 mm	JJ* mm	M mm	N mm	XX mm	Weight (steel) g/1 piece	O-Lok® Steel	O-Lok® Stainless Steel	PN (bar)	
mm	in.													S	SS
6	1/4	M 10×1.0	9/16-18	14	4.5	3	14	22	31	21	50	4M10C87OMLOS	4M10C87OMLOSS	420	420
6	1/4	M 12×1.5	9/16-18	17	4.5	4	14	22	33	21	52	4M12C87OMLOS	4M12C87OMLOSS	420	420
6	1/4	M 14×1.5	9/16-18	19	4.5	6	14	24	36	24	55	4M14C87OMLOS	4M14C87OMLOSS	420	420
8, 10	5/16, 3/8	M 12×1.5	11/16-16	17	6.5	4	19	25	36	24	60	6M12C87OMLOS	6M12C87OMLOSS	420	420
8, 10	5/16, 3/8	M 14×1.5	11/16-16	19	6.5	6	19	25	36	24	60	6M14C87OMLOS	6M14C87OMLOSS	420	420
8, 10	5/16, 3/8	M 16×1.5	11/16-16	22	6.5	7	19	25	38	24	65	6M16C87OMLOS	6M16C87OMLOSS	420	420
8, 10	5/16, 3/8	M 18×1.5	11/16-16	24	6.5	9	19	27	41	26	130	6M18C87OMLOS	6M18C87OMLOSS	420	420
12	1/2	M 14×1.5	13/16-16	19	9.5	6	19	28	36	24	150	8M14C87OMLOS	8M14C87OMLOSS	420	420
12	1/2	M 16×1.5	13/16-16	22	9.5	7	19	28	38	25	92	8M16C87OMLOS	8M16C87OMLOSS	420	420
12	1/2	M 18×1.5	13/16-16	24	9.5	9	19	28	41	26	161	8M18C87OMLOS	8M18C87OMLOSS	420	420
12	1/2	M 22×1.5	13/16-16	27	9.5	12	27	31	49	33	200	8M22C87OMLOS	8M22C87OMLOSS	420	420
14, 15, 16	5/8	M 18×1.5	1-14	24	12.5	9	27	33	48	33	190	10M18C87OMLOS	10M18C87OMLOSS	420	420
14, 15, 16	5/8	M 22×1.5	1-14	27	12.5	12	27	33	49	33	214	10M22C87OMLOS	10M22C87OMLOSS	420	420
18, 20	3/4	M 22×1.5	1 3/16-12	27	15.5	12	30	37	50	34	390	12M22C87OMLOS	12M22C87OMLOSS	420	420
18, 20	3/4	M 27×2.0	1 3/16-12	32	15.5	15	30	37	56	37	440	12M27C87OMLOS	12M27C87OMLOSS	420	420
22, 25	1	M 33×2.0	1 7/16-12	41	20.5	20	36	42	59	41	501	16M33C87OMLOS	16M33C87OMLOSS	420	420
28, 30, 32	1 1/4	M 33×2.0	1 11/16-12	41	26	20	41	45	62	43	530	20M33C87OMLOS	20M33C87OMLOSS	350	280
28, 30, 32	1 1/4	M 42×2.0	1 11/16-12	50	26	26	41	45	63	44	561	20M42C87OMLOS	20M42C87OMLOSS	280	280
35, 38	1 1/2	M 48×2.0	2-12	55	32	32	50	49	72	50	684	24M48C87OMLOS	24M48C87OMLOSS	280	280

Product delivered with NBR TRAP seal. Replacement of TRAP seal is with a standard NBR O-ring – see page J74–J75.

Part numbers shown are part of our current manufacturing programme.

Imperial and metric parts may vary in hexagon dimensions.

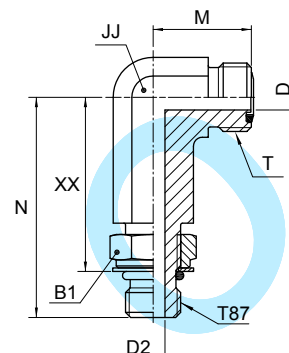
$$\frac{\text{PN (bar)}}{10} = \text{PN (MPa)}$$

Do not create drawings from these dimensions, they are subject to change and ISO manufacturing allowances.

\*JJ may vary in stainless steel

## CC87OMLO Extended male stud elbow

O-Lok® ORFS tube end / Male metric thread – O-ring (ISO 6149-2)  
 SAE 52M1587 ISO 8434-3 SDEL



Tube O.D. mm	Tube O.D. in.	Thread metric T87	Thread UN/UNF-2A T	D mm	D2 mm	M mm	N mm	XX mm	JJ mm	B1 mm	Weight (steel) g/1 piece	O-Lok® Steel	PN (bar)
6	1/4	M 12×1.5	9/16-18	4.5	4	23	56	45	19	17	44	<b>4M12CC87OMLOS</b>	420
8, 10	5/16, 3/8	M 14×1.5	11/16-16	6.5	6	25	56	45	19	19	51	<b>6M14CC87OMLOS</b>	420
8, 10	5/16, 3/8	M 16×1.5	11/16-16	6.5	7	25	67	54	22	22	51	<b>6M16CC87OMLOS</b>	420
12	1/2	M 18×1.5	13/16-16	9.5	9	28	75	61	22	24	150	<b>8M18CC87OMLOS</b>	420
12	1/2	M 22×1.5	13/16-16	9.5	12	32	88	74	27	27	150	<b>8M22CC87OMLOS</b>	420
14, 15, 16	5/8	M 22×1.5	1-14	12.5	12	34	88	74	27	27	160	<b>10M22CC87OMLOS</b>	420
18, 20	3/4	M 27×2.0	1 3/16-12	15.5	15	38	101	83	33	32	290	<b>12M27CC87OMLOS</b>	420
22, 25	1	M 33×2.0	1 7/16-12	20.5	20	41	115	96	41	41	480	<b>16M33CC87OMLOS</b>	420
28, 30, 32	1 1/4	M 42×2.0	1 11/16-12	26	26	45	127	107	41	50	630	<b>20M42CC87OMLOS</b>	280

Product delivered with NBR TRAP seal. Replacement of TRAP seal is with a standard NBR O-ring – see page J74–J75.

Part numbers shown are part of our current manufacturing programme.

Imperial and metric parts may vary in hexagon dimensions.

$$\frac{\text{PN (bar)}}{10} = \text{PN (MPa)}$$

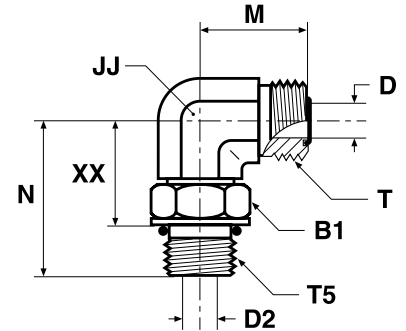
Do not create drawings from these dimensions, they are subject to change and ISO manufacturing allowances.



KONVERT

### C50MLO Male stud elbow

O-Lok® ORFS tube end / Male UN/UNF thread – O-ring (ISO 11926)  
SAE 520220



Tube O.D.		Thread UN/UNF-2A T5	Thread UN/UNF-2A T	B1 mm	D mm	D2 mm	JJ* mm	M mm	N mm	XX mm	Weight (steel) g/1 piece	O-Lok®		PN (bar)	
mm	in.											Steel	Stainless Steel	S	SS
6	1/4	7/16-20	9/16-18	17	4.5	4.5	14	22	33	21	53	<b>4C50MLOS</b>	<b>4C50MLOSS</b>	420	420
6	1/4	9/16-18	9/16-18	19	4.5	7.5	19	24	37	24	66	<b>4-6C50MLOS</b>	<b>4-6C50MLOSS</b>	420	420
8, 10	3/8	9/16-18	11/16-16	19	6.5	7.5	19	25	37	24	68	<b>6C50MLOS</b>	<b>6C50MLOSS</b>	420	420
8, 10	3/8	7/16-20	11/16-16	16	6.5	4.5	19	25	35	24	57	<b>6-4 C50LO-S</b>	<b>6-4C50MLOSS</b>	420	420
8, 10	3/8	1/2-20	11/16-16	18	6.5	6	19	25	35	23	94	<b>6-5 C50LO-S</b>	<b>6-5C50MLOSS</b>	420	420
8, 10	3/8	3/4-16	11/16-16	24	6.5	10	19	26	41	26	105	<b>6-8C50MLOS</b>	<b>6-8C50MLOSS</b>	420	420
8, 10	3/8	7/8-14	11/16-16	27	6.5	12.5	22	29	50	33	196	<b>6-10 C50LO-S</b>	<b>6-10C50MLOSS</b>	420	420
8, 10	3/8	1 1/16-12	11/16-16	35	6.5	15.5	27	33	55	36	250	<b>6-12 C50LO-S</b>	<b>6-12C50MLOSS</b>	420	420
12	1/2	3/4-16	13/16-16	24	9.5	10	19	28	41	26	164	<b>8C50MLOS</b>	<b>8C50MLOSS</b>	420	420
12	1/2	1/2-20	13/16-16	18	9.5	6	19	28	35	23	101	<b>8-5 C50LO-S</b>	<b>8-5C50MLOSS</b>	420	420
12	1/2	9/16-18	13/16-16	19	9.5	7.5	19	28	37	24	81	<b>8-6 C50LO-S</b>	<b>8-6C50MLOSS</b>	420	420
12	1/2	7/8-14	13/16-16	27	9.5	12.5	27	31	50	33	187	<b>8-10C50MLOS</b>	<b>8-10C50MLOSS</b>	420	420
12	1/2	1 1/16-12	13/16-16	36	9.5	15.5	30	34	55	36	201	<b>8-12C50MLOS</b>	<b>8-12C50MLOSS</b>	420	420
14, 15, 16	5/8	7/8-14	1-14	27	12.5	12.5	27	33	50	33	214	<b>10C50MLOS</b>	<b>10C50MLOSS</b>	420	420
14, 15, 16	5/8	3/4-16	1-14	24	12.5	10	27	33	46	32	175	<b>10-8 C50LO-S</b>	<b>10-8C50MLOSS</b>	420	420
14, 15, 16	5/8	1 1/16-12	1-14	35	12.5	15.5	30	36	55	36	248	<b>10-12 C50LO-S</b>	<b>10-12C50MLOSS</b>	420	420
18, 20	3/4	1 1/16-12	1 3/16-12	36	15.5	15.5	30	37	55	36	442	<b>12C50MLOS</b>	<b>12C50MLOSS</b>	420	420
18, 20	3/4	3/4-16	1 3/16-12	24	15.5	10	30	37	47	32	325	<b>12-8 C50LO-S</b>	<b>12-8C50MLOSS</b>	420	420
18, 20	3/4	7/8-14	1 3/16-12	27	15.5	12.5	30	37	51	34	296	<b>12-10C50MLOS</b>	<b>12-10C50MLOSS</b>	420	420
18, 20	3/4	1 5/16-12	1 3/16-12	41	15.5	21.5	36	41	60	41	346	<b>12-16 C50LO-S</b>	<b>12-16C50MLOSS</b>	380	380
25	1	1 5/16-12	1 7/16-12	41	20.5	21.5	36	42	60	41	502	<b>16 C50LO-S</b>	<b>16C50MLOSS</b>	380	380
25	1	1 1/16-12	1 7/16-12	35	20.5	15.5	36	42	59	40	473	<b>16-12 C50LO-S</b>	<b>16-12C50MLOSS</b>	420	420
25	1	1 5/8-12	1 7/16-12	48	20.5	27.5	41	45	62	43	580	<b>16-20 C50LO-S</b>	<b>16-20C50MLOSS</b>	280	280
28, 30, 32	1 1/4	1 5/8-12	1 11/16-12	48	26	27.5	41	45	62	43	563	<b>20 C50LO-S</b>	<b>20C50MLOSS</b>	280	280
28, 30, 32	1 1/4	1 5/16-12	1 11/16-12	41	26	21.5	41	45	62	43	563	<b>20-16 C50LO-S</b>	<b>20-16C50MLOSS</b>	380	280
28, 30, 32	1 1/4	1 7/8-12	1 11/16-12	54	26	33.5	48	49	66	47	764	<b>20-24 C50LO-S</b>	<b>20-24C50MLOSS</b>	280	280
35, 38	1 1/2	1 7/8-12	2-12	54	32	33.5	48	49	66	47	689	<b>24 C50LO-S</b>	<b>24C50MLOSS</b>	280	280
35, 38	1 1/2	1 5/8-12	2-12	48	32	26	48	49	66	47	644	<b>24-20 C50LO-S</b>	<b>24-20C50MLOSS</b>	280	280
50	2	2 1/2-12	2 1/2-12	70	45	40	64	70	78	59	2200	<b>32 C50LO-S</b>	<b>32C50MLOSS</b>	170	170

Product delivered with NBR TRAP seal. Replacement of TRAP seal is with a standard NBR O-ring – see page J74–J75.

Part numbers shown are part of our current manufacturing programme.

Imperial and metric parts may vary in hexagon dimensions.

$$\frac{\text{PN (bar)}}{10} = \text{PN (MPa)}$$

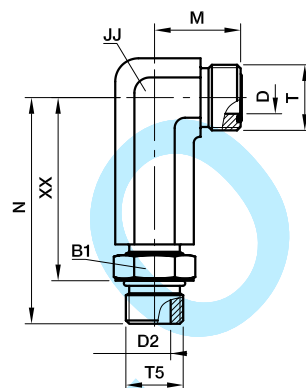
Do not create drawings from these dimensions, they are subject to change and ISO manufacturing allowances.

\*JJ may vary in stainless steel



## CC5OLO Extended male stud elbow

O-Lok® ORFS tube end / Male UN/UNF thread – O-ring (ISO 11926)  
SAE 521520



Tube O.D. mm	Tube O.D. in.	Thread UN/UNF-2A T5	Thread UN/UNF-2A T	B1 mm	D mm	D2 mm	JJ* mm	M mm	N mm	XX mm	Weight (steel) g/1 piece	O-Lok® Steel	PN (bar)
6	1/4	7/16-20	9/16-18	16	4.5	4.5	14	22	57	45	44	<b>4 CC5OLO-S</b>	420
8, 10	3/8	9/16-18	11/16-16	19	6.5	7.5	22	25	66	54	51	<b>6 CC5OLO-S</b>	420
12	1/2	3/4-16	13/16-16	24	9.5	10	22	28	75	61	146	<b>8 CC5OLO-S</b>	420
14, 15, 16	5/8	7/8-14	1-14	27	12.5	12.5	27	33	89	73	159	<b>10 CC5OLO-S</b>	420
18, 20	3/4	1 1/16-12	1 3/16-12	35	15.5	15.5	33	37	101	82	291	<b>12 CC5OLO-S</b>	420
25	1	1 5/16-12	1 7/16-12	41	20.5	21.5	41	42	115	96	481	<b>16 CC5OLO-S</b>	380

Product delivered with NBR TRAP seal. Replacement of TRAP seal is with a standard NBR O-ring – see page J74–J75.

Part numbers shown are part of our current manufacturing programme.

Imperial and metric parts may vary in hexagon dimensions.

$$\frac{\text{PN (bar)}}{10} = \text{PN (MPa)}$$

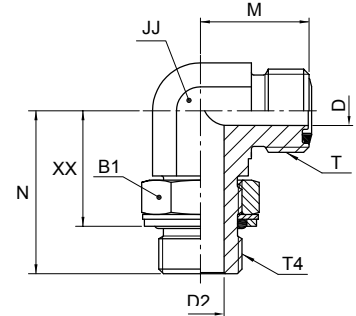
Do not create drawings from these dimensions, they are subject to change and ISO manufacturing allowances.

\*JJ may vary in stainless steel

J

## C40MLO Male stud elbow

O-Lok® ORFS tube end / Male BSPP thread O-ring + retaining ring (ISO 1179)



Tube O.D.		Thread BSPP T4	Thread UN/UNF-2A T	B1 mm	D mm	D2 mm	JJ* mm	M mm	N mm	XX mm	Weight (steel) g/1 piece	O-Lok® Steel	O-Lok® Stainless Steel	PN (bar)	
mm	in.											Steel	Stainless Steel	S	SS
6	1/4	1/8-28	9/16-18	14	4.5	4.4	14	22	30	21	49	4C40MLOS	4C40MLOSS	250	250
6	1/4	1/4-19	9/16-18	19	4.5	7.5	19	24	36	25	93	4-4C40MLOS	4-4C40MLOSS	250	200
6	1/4	3/8-19	9/16-18	22	4.5	9.9	19	25	38	27	99	4-6C40MLOS	4-6C40MLOSS	250	200
8, 10	3/8	1/4-19	11/16-16	19	6.5	7.5	19	25	36	25	97	6C40MLOS	6C40MLOSS	250	200
8, 10	3/8	1/8-28	11/16-16	14	6.5	4.4	19	25	32	23	62	6-2C40MLOS	6-2C40MLOSS	250	200
8, 10	3/8	3/8-19	11/16-16	22	6.5	9.9	19	27	38	27	106	6-6C40MLOS	6-6C40MLOSS	250	200
8, 10	3/8	1/2-14	11/16-16	27	6.5	12.3	27	29	49	35	120	6-8C40MLOS	6-8C40MLOSS	250	200
12	1/2	3/8-19	13/16-16	22	9.5	9.9	19	28	38	27	108	8C40MLOS	8C40MLOSS	250	200
12	1/2	1/4-19	13/16-16	19	9.5	7.5	19	28	36	25	99	8-4C40MLOS	8-4C40MLOSS	250	200
12	1/2	1/2-14	13/16-16	27	9.5	12.3	27	31	49	35	239	8-8C40MLOS	8-8C40MLOSS	250	200
12	1/2	3/4-14	13/16-16	36	9.5	15.5	30	34	52	38	258	8-12C40MLOS	8-12C40MLOSS	250	200
14, 15, 16	5/8	1/2-14	1-14	27	12.5	12.3	27	33	49	35	274	10C40MLOS	10C40MLOSS	250	200
14, 15, 16	5/8	3/8-19	1-14	22	12.5	9.9	27	33	43	32	235	10-6C40MLOS	10-6C40MLOSS	250	200
14, 15, 16	5/8	3/4-14	1-14	36	12.5	15.5	30	36	52	38	352	10-12C40MLOS	10-12C40MLOSS	250	200
14, 15, 16	5/8	1-11	1-14	41	12.5	21.5	36	40	58	42	382	10-16C40MLOS	10-16C40MLOSS	250	200
18, 20	3/4	3/4-14	1 3/16-12	36	15.5	15.5	30	37	52	38	355	12C40MLOS	12C40MLOSS	250	200
18, 20	3/4	1/2-14	1 3/16-12	27	15.5	12.3	30	37	50	36	297	12-8C40MLOS	12-8C40MLOSS	250	200
18, 20	3/4	1-11	1 3/16-12	41	15.5	21.5	36	41	58	42	362	12-16C40MLOS	12-16C40MLOSS	250	200
25	1	1-11	1 7/16-12	41	20.5	21.5	36	42	58	42	551	16C40MLOS	16C40MLOSS	250	200
25	1	3/4-14	1 7/16-12	36	20.5	15.5	36	42	55	42	533	16-12C40MLOS	16-12C40MLOSS	250	200
25	1	1 1/4-11	1 7/16-12	50	20.5	27.5	41	45	61	45	758	16-20C40MLOS	16-20C40MLOSS	210	160
28, 30, 32	1 1/4	1 1/4-11	1 11/16-12	50	26	27.5	41	45	61	45	752	20C40MLOS	20C40MLOSS	210	160
28, 30, 32	1 1/4	1-11	1 11/16-12	41	26	21.5	41	45	61	45	712	20-16C40MLOS	20-16C40MLOSS	250	200
28, 30, 32	1 1/4	1 1/2-11	1 11/16-12	55	26	33	50	49	65	48	821	20-24C40MLOS	20-24C40MLOSS	140	140
35, 28	1 1/2	1 1/2-11	2-12	55	32	33	50	49	65	48	953	24C40MLOS	24C40MLOSS	140	140
35, 38	1 1/2	1 1/4-11	2-12	50	32	27.5	50	49	65	46	1098	24-20C40MLOS	24-20C40MLOSS	140	140

Product delivered with NBR TRAP seal. Replacement of TRAP seal is with a standard NBR O-ring – see page J74–J75.

Part numbers shown are part of our current manufacturing programme.

Imperial and metric parts may vary in hexagon dimensions.

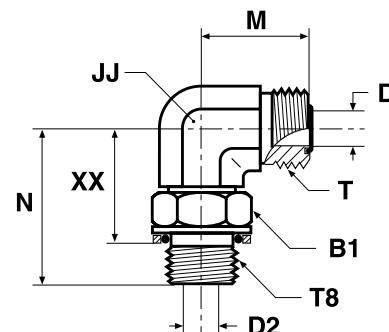
$$\frac{\text{PN (bar)}}{10} = \text{PN (MPa)}$$

Do not create drawings from these dimensions, they are subject to change and ISO manufacturing allowances.

\*JJ may vary in stainless steel

## C8OMLO Male stud elbow

O-Lok® ORFS tube end / Male metric thread – O-ring + retaining ring



Tube O.D. mm	Tube O.D. in.	Thread metric T8	Thread UN/UNF-2A T	B1 mm	D mm	D2 mm	JJ* mm	M mm	N mm	XX mm	Weight (steel) g/1 piece	O-Lok® Steel	PN (bar)
6	1/4	M 12×1.5	9/16-18	17	4.5	4	14	22	33	22	52	<b>4M12C8OMLOS</b>	250
6	1/4	M 14×1.5	9/16-18	17	4.5	6	14	24	36	24	58	<b>4M14C8OMLOS</b>	250
8, 10	3/8	M 14×1.5	11/16-16	17	6.5	6	19	25	36	25	62	<b>6M14C8OMLOS</b>	250
8, 10	3/8	M 16×1.5	11/16-16	19	6.5	7	19	25	38	24	65	<b>6M16C8OMLOS</b>	250
12	1/2	M 16×1.5	13/16-16	19	9.5	7	19	28	38	25	82	<b>8M16C8OMLOS</b>	250
12	1/2	M 18×1.5	13/16-16	22	9.5	9	19	28	41	25	161	<b>8M18C8OMLOS</b>	250
14, 15, 16	5/8	M 18×1.5	1-14	22	12.5	9	27	33	48	32	185	<b>10M18C8OMLOS</b>	250
14, 15, 16	5/8	M 22×1.5	1-14	27	12.5	12	27	33	49	31	214	<b>10M22C8OMLOS</b>	250
18, 20	3/4	M 22×1.5	1 3/16-12	27	15.5	12	30	37	50	31	322	<b>12M22C8OMLOS</b>	250
18, 20	3/4	M 27×2.0	1 3/16-12	32	15.5	15	30	37	56	35	440	<b>12M27C8OMLOS</b>	250
25	1	M 33×2.0	1 7/16-12	38	20.5	20	36	42	59	39	501	<b>16M33C8OMLOS</b>	140
28, 30, 32	1 1/4	M 42×2.0	1 11/16-12	50	26	26	41	45	63	42	561	<b>20M42C8OMLOS</b>	140
35, 38	1 1/2	M 48×2.0	2-12	55	32	32	50	49	72	47	684	<b>24M48C8OMLOS</b>	140

Product delivered with NBR TRAP seal. Replacement of TRAP seal is with a standard NBR O-ring – see page J74–J75.

Part numbers shown are part of our current manufacturing programme.

Imperial and metric parts may vary in hexagon dimensions.

$$\frac{\text{PN (bar)}}{10} = \text{PN (MPa)}$$

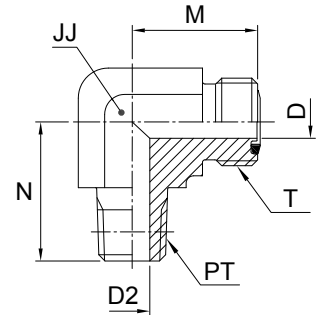
Do not create drawings from these dimensions, they are subject to change and ISO manufacturing allowances.

\*JJ may vary in stainless steel

## CLO Male stud elbow

O-Lok® ORFS tube end / Male NPTF\* thread (SAE J476)

\*Stainless Steel = NPT to prevent galling



Tube O.D.		Thread NPTF PT	Thread UN/UNF-2A T	D mm	D2 mm	JJ* mm	M mm	N mm	Weight (steel) g/1 piece	O-Lok® Steel	O-Lok® Stainless Steel	PN (bar)	
mm	in.											S	SS
6	1/4	1/8-27	9/16-18	4.5	4.8	14	22	20	39	<b>4 CLO-S</b>	<b>4 CLO-SS</b>	420	420
6	1/4	1/4-18	9/16-18	4.5	7.1	14	22	28	50	<b>4-4 CLO-S</b>	<b>4-4 CLO-SS</b>	420	420
8, 10	3/8	1/4-18	11/16-16	6.5	7.1	19	25	28	75	<b>6 CLO-S</b>	<b>6 CLO-SS</b>	420	420
8, 10	3/8	3/8-18	11/16-16	6.5	10.3	19	25	31	81	<b>6-6 CLO-S</b>	<b>6-6 CLO-SS</b>	420	420
8, 10	3/8	1/2-14	11/16-16	6.5	13.5	22	29	37	84	<b>6-8 CLO-S</b>	<b>6-8 CLO-SS</b>	420	420
12	1/2	3/8-18	13/16-16	9.5	10.3	19	28	31	89	<b>8 CLO-S</b>	<b>8 CLO-SS</b>	420	420
12	1/2	1/2-14	13/16-16	9.5	13.5	22	28	37	125	<b>8-8 CLO-S</b>	<b>8-8 CLO-SS</b>	420	420
12	1/2	3/4-14	13/16-16	9.5	18.3	27	34	40	168	<b>8-12 CLO-S</b>	<b>8-12 CLO-SS</b>	280	280
14, 15, 16	5/8	1/2-14	1-14	12.5	13.5	27	33	37	154	<b>10 CLO-S</b>	<b>10 CLO-SS</b>	420	420
14, 15, 16	5/8	3/4-14	1-14	12.5	18.3	27	36	40	237	<b>10-12 CLO-S</b>	<b>10-12 CLO-SS</b>	280	280
18, 20	3/4	3/4-14	1 3/16-12	15.5	18.3	30	37	40	246	<b>12 CLO-S</b>	<b>12 CLO-SS</b>	280	280
18, 20	3/4	1/2-14	1 3/16-12	15.5	13.5	30	37	40	257	<b>12-8 CLO-S</b>	<b>12-8 CLO-SS</b>	420	420
18, 20	3/4	1-11.5	1 3/16-12	15.5	23.8	33	41	50	363	<b>12-16 CLO-S</b>	<b>12-16 CLO-SS</b>	210	210
25	1	1-11.5	1 7/16-12	20.5	23.8	36	42	50	387	<b>16 CLO-S</b>	<b>16 CLO-SS</b>	210	210
25	1	3/4-14	1 7/16-12	20.5	18.3	36	42	45	401	<b>16-12 CLO-S</b>	<b>16-12 CLO-SS</b>	280	280
28, 30, 32	1 1/4	1 1/4-11.5	1 11/16-12	26	31.8	41	45	61	469	<b>20 CLO-S</b>	<b>20 CLO-SS</b>	175	175
35, 38	1 1/2	1 1/2-11.5	2-12	32	38.1	48	49	67	603	<b>24 CLO-S</b>	<b>24 CLO-SS</b>	175	175

Product delivered with NBR TRAP seal. Replacement of TRAP seal is with a standard NBR O-ring – see page J74–J75.

Part numbers shown are part of our current manufacturing programme.

Imperial and metric parts may vary in hexagon dimensions.

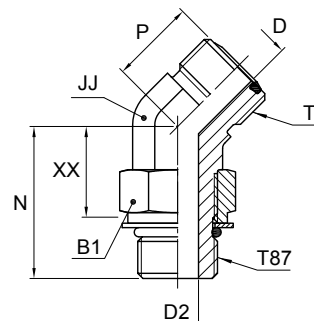
$$\frac{\text{PN (bar)}}{10} = \text{PN (MPa)}$$

Do not create drawings from these dimensions, they are subject to change and ISO manufacturing allowances.

\*JJ may vary in stainless steel

## V87OMLO 45° male stud elbow

O-Lok® ORFS tube end / Male metric thread – O-ring (ISO 6149-2)  
 SAE 52M0387 ISO 8434-3 SDE45



Tube O.D.		Thread metric T87	Thread UN/UNF-2A T	B1 mm	D mm	D2 mm	JJ* mm	P mm	N mm	XX mm	Weight (steel) g/1 piece	O-Lok® Steel	O-Lok® Stainless Steel	PN (bar)	
mm	in.													S	SS
6	1/4	M 12×1.5	9/16-18	17	4.5	4	14	16	30	19	44	<b>4M12V87OMLOS</b>	<b>4M12V87OMLOSS</b>	420	420
8, 10	3/8	M 16×1.5	11/16-16	22	6.5	7	19	19	33	20	82	<b>6M16V87OMLOS</b>	<b>6M16V87OMLOSS</b>	420	420
12	1/2	M 18×1.5	13/16-16	24	9.5	9	19	20	37	22	110	<b>8M18V87OMLOS</b>	<b>8M18V87OMLOSS</b>	420	420
14, 15, 16	5/8	M 22×1.5	1-14	27	12.5	12	27	23	44	29	190	<b>10M22V87OMLOS</b>	<b>10M22V87OMLOSS</b>	420	420
18, 20	3/4	M 27×2.0	1 3/16-12	32	15.5	15	30	26	50	31	288	<b>12M27V87OMLOS</b>	<b>12M27V87OMLOSS</b>	420	420
25	1	M 33×2.0	1 7/16-12	41	20.5	20	36	30	52	33	300	<b>16M33V87OMLOS</b>	<b>16M33V87OMLOSS</b>	420	420
28, 30, 32	1 1/4	M 42×2.0	1 11/16-12	50	26	26	41	32	54	35	444	<b>20M42V87OMLOS</b>	<b>20M42V87OMLOSS</b>	280	280
35, 38	1 1/2	M 48×2.0	2-12	55	32	32	50	37	56	35	569	<b>24M48V87OMLOS</b>		280	—

Product delivered with NBR TRAP seal. Replacement of TRAP seal is with a standard NBR O-ring – see page J74–J75.

Part numbers shown are part of our current manufacturing programme.

Imperial and metric parts may vary in hexagon dimensions.

$$\frac{\text{PN (bar)}}{10} = \text{PN (MPa)}$$

Do not create drawings from these dimensions, they are subject to change and ISO manufacturing allowances.

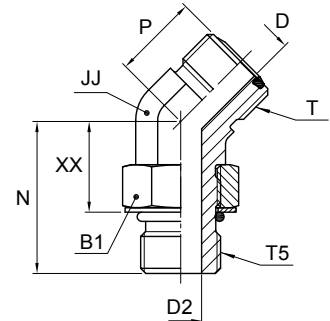
\*JJ may vary in stainless steel

KONVERT

J

## V5OMLO 45° male stud elbow

O-Lok® ORFS tube end / Adjustable UN/UNF thread O-ring (ISO 11926)  
SAE 520320



Tube O.D.		Thread UN/UNF-2A T5	Thread UN/UNF-2A T	B1 mm	D mm	D2 mm	JJ* mm	P mm	N mm	XX mm	Weight (steel) g/1 piece	O-Lok® Steel	O-Lok® Stainless Steel	PN (bar)	
mm	in.													S	SS
6	1/4	7/16-20	9/16-18	17	4.5	4.5	14	16	30	19	45		<b>4V5OMLOSS</b>		420
6	1/4	7/16-20	9/16-18	16	4.5	4.5	14	16	30	19	45	<b>4 V5OLO-S</b>		630	420
6	1/4	9/16-18	9/16-18	19	4.5	7.5	19	17	33	20	76	<b>4-6 V5OLO-S</b>	<b>4-6V5OMLOSS</b>	630	420
8, 10	3/8	9/16-18	11/16-16	19	6.5	7.5	19	19	33	20	83	<b>6 V5OLO-S</b>	<b>6V5OMLOSS</b>	630	420
8, 10	3/8	7/16-20	11/16-16	16	6.5	4.5	19	19	31	20	64	<b>6-4 V5OLO-S</b>	<b>6-4V5OMLOSS</b>	630	420
8, 10	3/8	3/4-16	11/16-16	24	6.5	10	19	19	36	22	96	<b>6-8 V5OLO-S</b>	<b>6-8V5OMLOSS</b>	630	420
12	1/2	3/4-16	13/16-16	24	9.5	10	19	20	36	23	117	<b>8 V5OLO-S</b>	<b>8V5OMLOSS</b>	630	420
12	1/2	9/16-18	13/16-16	19	9.5	7.5	19	20	32	20	71	<b>8-6 V5OLO-S</b>	<b>8-6V5OMLOSS</b>	630	420
12	1/2	7/8-14	13/16-16	27	9.5	12.5	19	21	45	22	147	<b>8-10 V5OLO-S</b>	<b>8-10V5OMLOSS</b>	420	420
14, 15, 16	5/8	7/8-14	1-14	27	12.5	12.5	27	23	45	28	194	<b>10 V5OLO-S</b>	<b>10V5OMLOSS</b>	420	420
14, 15, 16	5/8	3/4-16	1-14	24	12.5	10	27	23	40	26	192	<b>10-8 V5OLO-S</b>	<b>10-8V5OMLOSS</b>	420	420
14, 15, 16	5/8	1 1/16-12	1-14	35	12.5	15.5	30	24	50	31	207	<b>10-12 V5OLO-S</b>	<b>10-12V5OMLOSS</b>	420	420
18, 20	3/4	1 1/16-12	1 3/16-12	35	15.5	15.5	30	26	50	31	294	<b>12V5OMLO-S</b>	<b>12V5OMLOSS</b>	420	420
18, 20	3/4	7/8-14	1 3/16-12	27	15.5	12.5	30	26	46	29	219	<b>12-10 V5OLO-S</b>	<b>12-10V5OMLOSS</b>	420	420
18, 20	3/4	1 5/16-12	1 3/16-12	41	15.5	21.5	36	30	52	33	322	<b>12-16 V5OLO-S</b>	<b>12-16V5OMLOSS</b>	420	380
22, 25	1	1 5/16-12	1 7/16-12	41	20.5	21.5	36	30	52	33	394	<b>16V5OMLOS</b>	<b>16V5OMLOSS</b>	420	380
22, 25	1	1 1/16-12	1 7/16-12	36	20.5	15.5	36	30	52	33	337		<b>16-12V5OMLOSS</b>	420	420
22, 25	1	1 1/16-12	1 7/16-12	35	20.5	15.5	36	30	52	33	337	<b>16-12 V5OLO-S</b>		420	
22, 25	1	1 5/8-12	1 7/16-12	48	20.5	27.5	41	32	54	35	511	<b>16-20 V5OLO-S</b>	<b>16-20V5OMLOSS</b>	420	280
28, 30, 32	1 1/4	1 5/8-12	1 11/16-12	48	26	27.5	41	32	54	35	447	<b>20 V5OLO-S</b>	<b>20V5OMLOSS</b>	350	280
35, 38	1 1/2	1 7/8-12	2-12	54	32	33.5	48	37	54	35	571	<b>24 V5OLO-S</b>	<b>24V5OMLOSS</b>	280	280

Product delivered with NBR TRAP seal. Replacement of TRAP seal is with a standard NBR O-ring – see page J74–J75.

Part numbers shown are part of our current manufacturing programme.

Imperial and metric parts may vary in hexagon dimensions.

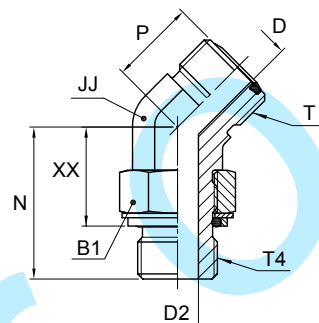
$$\frac{\text{PN (bar)}}{10} = \text{PN (MPa)}$$

Do not create drawings from these dimensions, they are subject to change and ISO manufacturing allowances.

\*JJ may vary in stainless steel

## V4OMLO 45° male stud elbow

O-Lok® ORFS tube end / Adjustable BSPP thread O-ring + retaining ring (ISO 1179)



Tube O.D.		Thread BSPP T4	Thread UN/UNF-2A T	B1 mm	D mm	D2 mm	JJ* mm	P mm	N mm	XX mm	Weight (steel) g/1 piece	O-Lok®		PN (bar)	
mm	in.											Steel	Stainless Steel	S	SS
6	1/4	1/8-28	9/16-18	14	4.5	4.4	14	16	28	18	38	<b>4V4OMLOS</b>	<b>4V4OMLOSS</b>	250	250
6	1/4	1/4-19	9/16-18	19	4.5	7.5	19	17	33	22	43	<b>4-4V4OMLOS</b>	<b>4-4V4OMLOSS</b>	250	200
8, 10	3/8	1/4-19	11/16-16	19	6.5	7.5	19	19	32	20	83	<b>6V4OMLOS</b>	<b>6V4OMLOSS</b>	250	200
8, 10	3/8	3/8-19	11/16-16	22	6.5	9.9	19	19	34	22	95	<b>6-6V4OMLOS</b>	<b>6-6V4OMLOSS</b>	250	200
8, 10	3/8	1/2-14	11/16-16	27	6.5	12.3	27	19	43	29	107	<b>6-8V4OMLOS</b>	<b>6-8V4OMLOSS</b>	250	200
12	1/2	3/8-19	13/16-16	22	9.5	9.9	19	20	34	22	117	<b>8V4OMLOS</b>	<b>8V4OMLOSS</b>	250	200
12	1/2	1/2-14	13/16-16	27	9.5	12.3	27	21	43	30	196	<b>8-8V4OMLOS</b>	<b>8-8V4OMLOSS</b>	250	200
14, 15, 16	5/8	1/2-14	1-14	27	12.5	12.3	27	23	43	29	191	<b>10V4OMLOS</b>	<b>10V4OMLOSS</b>	250	200
14, 15, 16	5/8	3/4-14	1-14	36	12.5	15.5	30	24	46	32	227	<b>10-12V4OMLOS</b>	<b>10-12V4OMLOSS</b>	250	200
18, 20	3/4	3/4-14	1 3/16-12	36	15.5	15.5	30	26	46	32	294	<b>12V4OMLOS</b>	<b>12V4OMLOSS</b>	250	200
18, 20	3/4	1-11	1 3/16-12	41	15.5	21.5	36	30	51	34	325	<b>12-16V4OMLOS</b>	<b>12-16V4OMLOSS</b>	250	200
25	1	1-11	1 7/16-12	41	20.5	21.5	36	30	51	34	394	<b>16V4OMLOS</b>	<b>16V4OMLOSS</b>	250	200
28, 30, 32	1 1/4	1 1/4-11	1 11/16-12	50	26	27.5	41	32	52	37	430	<b>20V4OMLOS</b>	<b>20V4OMLOSS</b>	210	160
35, 38	1 1/2	1 1/2-11	2-12	55	32	33	50	37	52	37	551	<b>24V4OMLOS</b>	<b>24V4OMLOSS</b>	140	140

Product delivered with NBR TRAP seal. Replacement of TRAP seal is with a standard NBR O-ring – see page J74–J75.

Part numbers shown are part of our current manufacturing programme.

Imperial and metric parts may vary in hexagon dimensions.

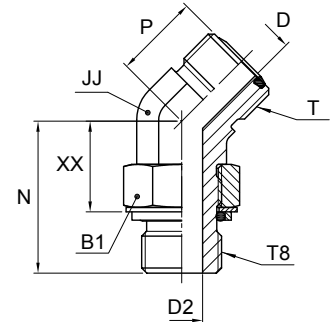
$$\frac{\text{PN (bar)}}{10} = \text{PN (MPa)}$$

Do not create drawings from these dimensions, they are subject to change and ISO manufacturing allowances.

\*JJ may vary in stainless steel

## V8OMLO 45° male stud elbow

O-Lok® ORFS tube end / Male metric thread – O-ring + retaining ring



Tube O.D. mm	Tube O.D. in.	Thread metric T8	Thread UN/UNF-2A T	B1 mm	D mm	D2 mm	JJ* mm	P mm	N mm	XX mm	Weight (steel) g/1 piece	O-Lok® Steel	PN (bar)
6	1/4	M 12×1.5	9/16-18	17	4.5	4	14	16	30	19	44	<b>4M12V8OMLOS</b>	250
10	3/8	M 16×1.5	11/16-16	19	6.5	7	19	19	33	19	82	<b>6M16V8OMLOS</b>	250
12	1/2	M 14×1.5	13/16-16	17	9.5	6	19	20	32	21	92	<b>8M14V8OMLOS</b>	250
12	1/2	M 18×1.5	13/16-16	22	9.5	9	19	20	37	21	110	<b>8M18V8OMLOS</b>	250
14, 15, 16	5/8	M 18×1.5	1-14	22	12.5	9	27	24	43	27	160	<b>10M18V8OMLOS</b>	250
14, 15, 16	5/8	M 22×1.5	1-14	27	12.5	12	27	23	44	27	190	<b>10M22V8OMLOS</b>	250
18, 20	3/4	M 27×2.0	1 3/16-12	32	15.5	15	30	26	50	30	288	<b>12M27V8OMLOS</b>	250
25	1	M 33×2.0	1 7/16-12	38	20.5	20	36	30	52	32	300	<b>16M33V8OMLOS</b>	140
28, 30, 32	1 1/4	M 42×2.0	1 11/16-12	50	26	26	41	32	54	33	444	<b>20M42V8OMLOS</b>	140
35, 38	1 1/2	M 48×2.0	2-12	55	32	32	50	37	56	32	568	<b>24M48V8OMLOS</b>	140

Product delivered with NBR TRAP seal. Replacement of TRAP seal is with a standard NBR O-ring – see page J74–J75.

Part numbers shown are part of our current manufacturing programme.

Imperial and metric parts may vary in hexagon dimensions.

$$\frac{\text{PN (bar)}}{10} = \text{PN (MPa)}$$

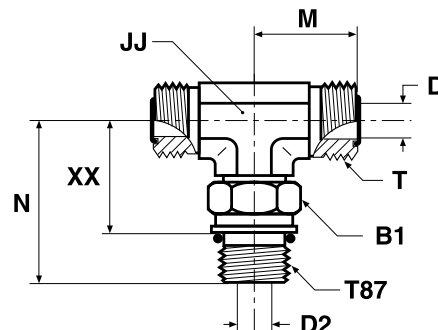
Do not create drawings from these dimensions, they are subject to change and ISO manufacturing allowances.

\*JJ may vary in stainless steel



## S87OMLO Male stud branch tee

O-Lok® ORFS tube ends / Adjustable metric thread – O-ring (ISO 6149)  
 SAE 52M0489 ISO 8434-3 SDBT



Tube O.D.		Thread metric T87	Thread UN/UNF-2A T	B1 mm	D mm	D2 mm	JJ* mm	M mm	N mm	XX mm	Weight (steel) g/1 piece	O-Lok® Steel		O-Lok® Stainless Steel		PN (bar)	
mm	in.											S	SS	S	SS		
6	1/4	M 12×1.5	9/16-18	17	4.5	4	14	22	33	21	66	4M12S87OMLOS	4M12S87OMLOSS	420	420		
8, 10	3/8	M 16×1.5	11/16-16	22	6.5	7	19	25	37	24	131	6M16S87OMLOS	6M16S87OMLOSS	420	420		
12	1/2	M 18×1.5	13/16-16	24	9.5	9	19	28	41	26	187	8M18S87OMLOS	8M18S87OMLOSS	420	420		
14, 15, 16	5/8	M 22×1.5	1-14	27	12.5	12	27	33	49	33	283	10M22S87OMLOS	10M22S87OMLOSS	420	420		
18, 20	3/4	M 27×2.0	1 3/16-12	32	15.5	15	30	37	55	36	549	12M27S87OMLOS	12M27S87OMLOSS	420	420		
25	1	M 33×2.0	1 7/16-12	41	20.5	20	36	42	59	41	565	16M33S87OMLOS	16M33S87OMLOSS	420	420		
28, 30, 32	1 1/4	M 42×2.0	1 11/16-12	50	26	26	41	45	62	43	824	20M42S87OMLOS	20M42S87OMLOSS	280	280		
35, 38	1 1/2	M 48×2.0	2-12	55	32	32	48	49	69	50	940	24M48S87OMLOS	24M48S87OMLOSS	280	—		

Product delivered with NBR TRAP seal. Replacement of TRAP seal is with a standard NBR O-ring – see page J74–J75.

Part numbers shown are part of our current manufacturing programme.

Imperial and metric parts may vary in hexagon dimensions.

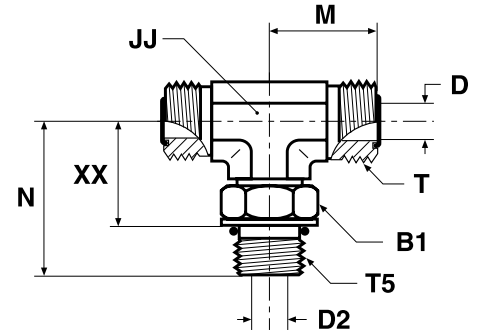
$$\frac{\text{PN (bar)}}{10} = \text{PN (MPa)}$$

Do not create drawings from these dimensions, they are subject to change and ISO manufacturing allowances.

\*JJ may vary in stainless steel

## S50MLO Male stud branch tee

O-Lok® ORFS tube end / Adjustable UN/UNF thread O-ring (ISO 11926)  
SAE 520429



Tube O.D.		Thread UN/UNF-2A T5	Thread UN/UNF-2A T	B1 mm	D mm	D2 mm	JJ* mm	M mm	N mm	XX mm	Weight (steel) g/1 piece	O-Lok®		PN (bar)	
mm	in.											Steel	Stainless Steel	S	SS
6	1/4	7/16-20	9/16-18	16	4.5	4.5	14	22	33	21	67	<b>4 S50LO-S</b>	<b>4 S50LO-SS</b>	420	420
8, 10	3/8	9/16-18	11/16-16	19	6.5	7.5	19	25	37	24	131	<b>6S50MLOS</b>	<b>6 S50LO-SS</b>	420	420
12	1/2	3/4-16	13/16-16	24	9.5	10	19	28	41	26	187	<b>8 S50LO-S</b>	<b>8 S50LO-SS</b>	420	420
14, 15, 16	5/8	7/8-14	1-14	27	12.5	12.5	27	33	50	33	279	<b>10 S50LO-S</b>	<b>10 S50LO-SS</b>	420	420
18, 20	3/4	1 1/16-12	1 3/16-12	35	15.5	15.5	30	37	55	36	441	<b>12 S50LO-S</b>	<b>12 S50LO-SS</b>	420	420
25	1	1 5/16-12	1 7/16-12	41	20.5	21.5	37	42	60	41	539	<b>16 S50LO-S</b>	<b>16 S50LO-SS</b>	380	380
28, 30, 32	1 1/4	1 5/8-12	1 11/16-12	48	26	27.5	41	45	62	43	851	<b>20 S50LO-S</b>		280	—
35, 38	1 1/2	1 7/8-12	2-12	54	32	33.5	48	49	66	47	942	<b>24 S50LO-S</b>		280	—

Product delivered with NBR TRAP seal. Replacement of TRAP seal is with a standard NBR O-ring – see page J74–J75.

Part numbers shown are part of our current manufacturing programme.

Imperial and metric parts may vary in hexagon dimensions.

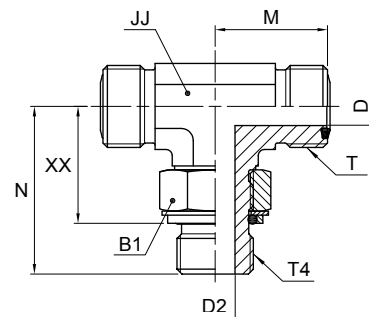
$$\frac{\text{PN (bar)}}{10} = \text{PN (MPa)}$$

Do not create drawings from these dimensions, they are subject to change and ISO manufacturing allowances.

\*JJ may vary in stainless steel.

## S4OMLO Male stud branch tee

O-Lok® ORFS tube end / Adjustable BSPP thread O-ring + retaining ring (ISO 1179)



Tube O.D.		Thread BSPP T4	Thread UN/UNF-2A T	B1 mm	D mm	D2 mm	JJ* mm	M mm	N mm	XX mm	Weight (steel) g/1 piece	O-Lok® Steel	O-Lok® Stainless Steel	PN (bar)	
mm	in.													S	SS
6	1/4	1/8-28	9/16-18	14	4.5	4.4	14	22	30	21	69	<b>4S4OMLOS</b>	<b>4S4OMLOSS</b>	250	250
6	1/4	1/4-19	9/16-18	19	4.5	7.5	19	24	36	25	97	<b>4-4-4S4OMLOS</b>	<b>4-4-4S4OMLOSS</b>	250	200
8, 10	3/8	1/4-19	11/16-16	19	6.5	7.5	19	25	36	25	127	<b>6S4OMLOS</b>	<b>6S4OMLOSS</b>	250	200
8, 10	3/8	3/8-19	11/16-16	22	6.5	9.9	19	27	38	27	126	<b>6-6-6S4OMLOS</b>	<b>6-6-6S4OMLOSS</b>	250	200
12	1/2	3/8-19	13/16-16	22	9.5	9.9	19	28	38	27	146	<b>8S4OMLOS</b>	<b>8S4OMLOSS</b>	250	200
12	1/2	1/2-14	13/16-16	27	9.5	12.3	27	31	49	35	174	<b>8-8-8S4OMLOS</b>	<b>8-8-8S4OMLOSS</b>	250	200
14, 15, 16	5/8	1/2-14	1-14	27	12.5	12.3	27	33	49	35	288	<b>10S4OMLOS</b>	<b>10S4OMLOSS</b>	250	200
14, 15, 16	5/8	3/4-14	1-14	36	12.5	15.5	30	36	52	38	314	<b>10-10-12S4OMLOS</b>	<b>10-10-12S4OMLOSS</b>	250	200
18, 20	3/4	3/4-14	1 3/16-12	36	15.5	15.5	30	37	52	38	531	<b>12S4OMLOS</b>	<b>12S4OMLOSS</b>	250	200
22, 25	1	1-11	1 7/16-12	41	20.5	21.5	36	42	58	42	600	<b>16S4OMLOS</b>	<b>16S4OMLOSS</b>	250	200
28, 30, 32	1 1/4	1 1/4-11	1 11/16-12	50	26	27.5	41	45	61	45	850	<b>20S4OMLOS</b>	<b>20S4OMLOSS</b>	210	160
35, 38	1 1/2	1 1/2-11	2-12	55	32	33	50	49	65	50	940	<b>24S4OMLOS</b>		140	—

Product delivered with NBR TRAP seal. Replacement of TRAP seal is with a standard NBR O-ring – see page J74–J75.

Part numbers shown are part of our current manufacturing programme.

Imperial and metric parts may vary in hexagon dimensions.

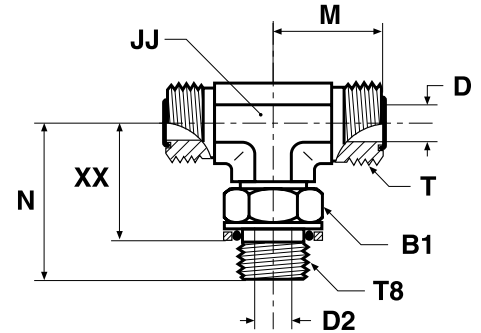
$$\frac{\text{PN (bar)}}{10} = \text{PN (MPa)}$$

Do not create drawings from these dimensions, they are subject to change and ISO manufacturing allowances.

\*JJ may vary in stainless steel.

## S8OMLO Male stud branch tee

O-Lok® ORFS tube end / Adjustable metric thread – O-ring + retaining ring



Tube O.D. mm	Tube O.D. in.	Thread metric T8	Thread UN/UNF-2A T	B1 mm	D mm	D2 mm	JJ* mm	M mm	N mm	XX mm	Weight (steel) g/1 piece	O-Lok® Steel	PN (bar)
6	1/4	M 12×1.5	9/16-18	17	4.5	4	14	22	33	22	66	<b>4M12S8OMLOS</b>	250
8, 10	3/8	M 16×1.5	11/16-16	19	6.5	7	19	25	38	24	131	<b>6M16S8OMLOS</b>	250
12	1/2	M 18×1.5	13/16-16	22	9.5	9	19	28	41	25	187	<b>8M18S8OMLOS</b>	250
14, 15, 16	5/8	M 22×1.5	1-14	27	12.5	12	27	33	49	31	283	<b>10M22S8OMLOS</b>	250
18, 20	3/4	M 27×2.0	1 3/16-12	32	15.5	15	30	37	55	35	550	<b>12M27S8OMLOS</b>	250
25	1	M 33×2.0	1 7/16-12	38	20.5	20	36	42	59	39	566	<b>16M33S8OMLOS</b>	140
28, 30, 32	1 1/4	M 42×2.0	1 11/16-12	50	26	26	41	45	62	41	824	<b>20M42S8OMLOS</b>	140
35, 38	1 1/2	M 48×2.0	2-12	55	32	32	48	49	72	47	940	<b>24M48S8OMLOS</b>	140

Product delivered with NBR TRAP seal. Replacement of TRAP seal is with a standard NBR O-ring – see page J74–J75.

Part numbers shown are part of our current manufacturing programme.

Imperial and metric parts may vary in hexagon dimensions.

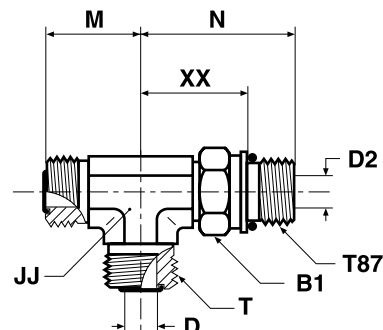
$$\frac{\text{PN (bar)}}{10} = \text{PN (MPa)}$$

Do not create drawings from these dimensions, they are subject to change and ISO manufacturing allowances.

\*JJ may vary in stainless steel.

## R87OMLO Male stud run tee

O-Lok® ORFS tube ends / Adjustable metric thread – O-ring (ISO 6149)  
 SAE 52M0488 ISO 8434-3 SDRT



Tube O.D. mm	Tube O.D. in.	Thread metric T87	Thread UN/UNF-2A T	B1 mm	D mm	D2 mm	JJ* mm	M mm	N mm	XX mm	Weight (steel) g/1 piece	O-Lok®		PN (bar)	
												Steel	Stainless Steel	S	SS
6	1/4	M 12×1.5	9/16-18	17	4.5	4	14	22	33	21	66	4M12R87OMLOS	4M12R87OMLOSS	420	420
6	1/4	M 14×1.5	11/16-16	19	6.5	6	19	25	36	21	129	6M14R87OMLOS	6M14R87OMLOSS	420	420
8, 10	3/8	M 16×1.5	11/16-16	22	6.5	7	19	25	38	24	131	6M16R87OMLOS	6M16R87OMLOSS	420	420
12	1/2	M 18×1.5	13/16-16	24	9.5	9	19	28	41	26	187	8M18R87OMLOS	8M18R87OMLOSS	420	420
14, 15, 16	5/8	M 22×1.5	1-14	27	12.5	12	27	33	49	33	283	10M22R87OMLOS	10M22R87OMLOSS	420	420
18, 20	3/4	M 27×2.0	1 3/16-12	32	15.5	15	30	37	55	36	549	12M27R87OMLOS	12M27R87OMLOSS	420	420
25	1	M 33×2.0	1 7/16-12	41	20.5	20	36	42	59	41	565	16M33R87OMLOS	16M33R87OMLOSS	420	420
28, 30, 32	1 1/4	M 42×2.0	1 11/16-12	50	26	26	41	45	63	43	824	20M42R87OMLOS	20M42R87OMLOSS	280	280
35, 38	1 1/2	M 48×2.0	2-12	55	32	32	48	49 <sup>1</sup>	69	50	940	24M48R87OMLOS		280	—

Product delivered with NBR TRAP seal. Replacement of TRAP seal is with a standard NBR O-ring – see page J74-J75.

Part numbers shown are part of our current manufacturing programme.

Imperial and metric parts may vary in hexagon dimensions.

$$\frac{\text{PN (bar)}}{10} = \text{PN (MPa)}$$

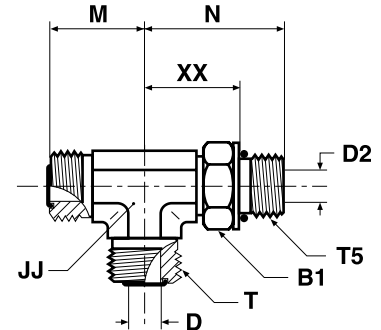
Do not create drawings from these dimensions, they are subject to change and ISO manufacturing allowances.

\*JJ may vary in stainless steel.

\*1M=52 in stainless steel.

## R50MLO Male stud run tee

O-Lok® ORFS tube end / Adjustable UN/UNF thread O-ring (ISO 11926)  
SAE 520428



Tube O.D.		Thread UN/UNF-2A T5	Thread UN/UNF-2A T	B1 mm	D mm	D2 mm	JJ* mm	M mm	N mm	XX mm	Weight (steel) g/1 piece	O-Lok®		PN (bar)	
mm	in.											Steel	Stainless Steel	S	SS
6	1/4	7/16-20	9/16-18	16	4.5	4.5	14	22	33	21	67	<b>4 R50LO-S</b>	<b>4 R50LO-SS</b>	420	420
6	1/4	9/16-18	9/16-18	19	4.5	4	19	24	37	24	133	<b>4-6-4R50MLOS</b>	<b>4-6-4 R0LO-SS</b>	420	420
8, 10	3/8	9/16-18	11/16-16	19	6.5	6.5	19	25	37	24	131	<b>6 R50LO-S</b>	<b>6 R50LO-SS</b>	420	420
12	1/2	3/4-16	13/16-16	24	9.5	9.5	19	28	41	26	187	<b>8 R50LO-S</b>	<b>8 R50LO-SS</b>	420	420
12	1/2	7/8-14	13/16-16	27	9.5	12.5	27	32	50	26	286	<b>8-10-8 R50LO-S</b>	<b>8-10-8 R50LO-SS</b>	420	420
14, 15, 16	5/8	7/8-14	1-14	27	12.5	12.5	27	33	50	33	288	<b>10 R50LO-S</b>	<b>10 R50LO-SS</b>	420	420
18, 20	3/4	1 1/16-12	1 3/16-12	36	15.5	15.5	30	37	55	36	558	<b>12R50MLOS</b>	<b>12 R50LO-SS</b>	420	420
18, 20	3/4	1 5/16-12	1 3/16-12	41	15.5	21.5	36	41	60	41	560	<b>12-16-12 R50LO-S</b>	<b>12-16-12 R50LO-SS</b>	380	380
25	1	1 5/16-12	1 7/16-12	41	20.5	20.5	36	42	60	41	566	<b>16 R50LO-S</b>	<b>16 R50LO-SS</b>	380	380
28, 30, 32	1 1/4	1 5/8-12	1 11/16-12	48	26	27.5	41	45	62	43	825	<b>20 R50LO-S</b>	<b>20 R50LO-SS</b>	280	280
35, 38	1 1/2	1 7/8-12	2-12	54	32	32	48	49 <sup>†</sup>	66	47	942	<b>24 R50LO-S</b>	<b>24 R50LO-SS</b>	280	280

Product delivered with NBR TRAP seal. Replacement of TRAP seal is with a standard NBR O-ring – see page J74–J75.

Part numbers shown are part of our current manufacturing programme.

Imperial and metric parts may vary in hexagon dimensions.

$$\frac{\text{PN (bar)}}{10} = \text{PN (MPa)}$$

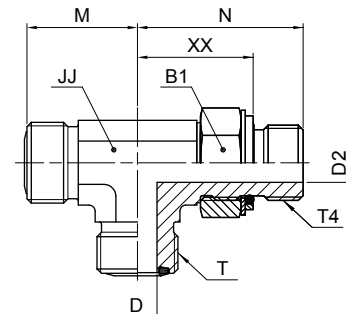
Do not create drawings from these dimensions, they are subject to change and ISO manufacturing allowances.

\*JJ may vary in stainless steel.

\*<sup>†</sup>M=52 in stainless steel.

## R40MLO Male stud run tee

O-Lok® ORFS tube ends / Adjustable BSPP thread O-ring + retaining ring (ISO 1179)



Tube O.D.		Thread BSPP T4	Thread UN/UNF-2A T	B1 mm	D mm	D2 mm	JJ* mm	M mm	N mm	XX mm	Weight (steel) g/1 piece	O-Lok®		PN (bar)	
mm	in.											Steel	Stainless Steel	S	SS
6	1/4	1/8-28	9/16-18	14	4.5	4.5	14	22	30	20	69	<b>4R40MLOS</b>	<b>4R40MLOSS</b>	250	250
6	1/4	1/4-19	9/16-18	19	4.5	7.5	19	24	36	25	97	<b>4-4-4R40MLOS</b>	<b>4-4-4R40MLOSS</b>	250	200
8, 10	3/8	1/4-19	11/16-16	19	6.5	7.5	19	25	36	25	127	<b>6R40MLOS</b>	<b>6R40MLOSS</b>	250	200
8, 10	3/8	3/8-19	11/16-16	22	6.5	9.9	19	27	38	27	126	<b>6-6-6R40MLOS</b>	<b>6-6-6R40MLOSS</b>	250	200
12	1/2	3/8-19	13/16-16	22	9.5	9.9	19	28	38	27	146	<b>8R40MLOS</b>	<b>8R40MLOSS</b>	250	200
12	1/2	1/2-14	13/16-16	27	9.5	12.3	27	31	49	33	174	<b>8-8-8R40MLOS</b>	<b>8-8-8R40MLOSS</b>	250	200
14, 15, 16	5/8	1/2-14	1-14	27	12.5	12.3	27	33	49	33	288	<b>10R40MLOS</b>	<b>10R40MLOSS</b>	250	200
18, 20	3/4	3/4-14	1 3/16-12	36	15.5	15.5	30	37	52	36	531	<b>12R40MLOS</b>	<b>12R40MLOSS</b>	250	200
18, 20	3/4	1-11	1 3/16-12	41	15.5	21.5	36	41	58	40	559	<b>12-16-12R40MLOS</b>	<b>12-16-12R40MLOSS</b>	250	200
25	1	1-11	1 7/16-12	41	20.5	21.5	36	42	58	40	553	<b>16R40MLOS</b>	<b>16R40MLOSS</b>	250	200
28, 30, 32	1 1/4	1 1/4-11	1 11/16-12	50	26	27.5	41	45	61	42	824	<b>20R40MLOS</b>	<b>20R40MLOSS</b>	210	160
35, 38	1 1/2	1 1/2-11	2-12	55	32	32	50	49 <sup>1</sup>	65	48	940	<b>24R40MLOS</b>		140	—

Product delivered with NBR TRAP seal. Replacement of TRAP seal is with a standard NBR O-ring – see page J74–J75.

Part numbers shown are part of our current manufacturing programme.

Imperial and metric parts may vary in hexagon dimensions.

$$\frac{\text{PN (bar)}}{10} = \text{PN (MPa)}$$

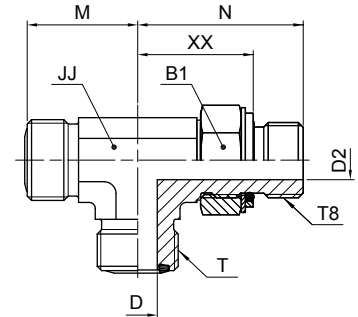
Do not create drawings from these dimensions, they are subject to change and ISO manufacturing allowances.

\*JJ may vary in stainless steel.

\*<sup>1</sup>M=52 in stainless steel.

## R8OMLO Male stud run tee

O-Lok® ORFS tube end / Adjustable metric thread – O-ring + retaining ring



Tube O.D. mm	Tube O.D. in.	Thread metric T8	Thread UN/UNF-2A T	B1 mm	D mm	D2 mm	JJ* mm	M mm	N mm	XX mm	Weight (steel) g/1 piece	O-Lok® Steel	PN (bar)
6	1/4	M 12×1.5	9/16-18	17	4.5	4	14	22	33	22	66	<b>4M12R8OMLOS</b>	250
8, 10	3/8	M 16×1.5	11/16-16	19	6.5	7	19	25	38	24	131	<b>6M16R8OMLOS</b>	250
12	1/2	M 18×1.5	13/16-16	22	9.5	9	19	28	41	25	187	<b>8M18R8OMLOS</b>	250
14, 15, 16	5/8	M 22×1.5	1-14	27	12.5	12	27	33	49	31	283	<b>10M22R8OMLOS</b>	250
18, 20	3/4	M 27×2.0	1 3/16-12	32	15.5	15	30	37	55	35	550	<b>12M27R8OMLOS</b>	250
25	1	M 33×2.0	1 7/16-12	38	20.5	20	36	42	59	39	566	<b>16M33R8OMLOS</b>	140
28, 30, 32	1 1/4	M 42×2.0	1 11/16-12	50	26	26	41	45	62	41	824	<b>20M42R8OMLOS</b>	140
35, 38	1 1/2	M 48×2.0	2-12	55	32	32	48	49 <sup>1</sup>	72	47	940	<b>24M48R8OMLOS</b>	140

Product delivered with NBR TRAP seal. Replacement of TRAP seal is with a standard NBR O-ring – see page J74–J75.

Part numbers shown are part of our current manufacturing programme.

Imperial and metric parts may vary in hexagon dimensions.

$$\frac{\text{PN (bar)}}{10} = \text{PN (MPa)}$$

Do not create drawings from these dimensions, they are subject to change and ISO manufacturing allowances.

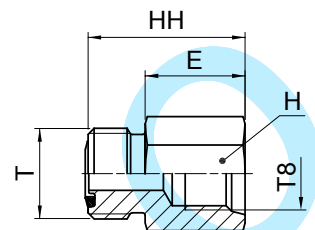
\*JJ may vary in stainless steel.

\*1M=52 in stainless steel.



## G87MLO Pressure gauge connector

O-Lok® ORFS tube end / Female metric thread – O-ring (ISO 6149-1)  
suitably for EMA link



Tube O.D. mm	Tube O.D. in.	Thread metric T8	Thread UN/UNF-2A T	E mm	H mm	HH mm	Weight (steel) g/1 piece	O-Lok®	O-Lok®	PN (bar)	
								Steel	Stainless Steel	S	SS
6	1/4	M 14×1.5	9/16-18	19	19	29	20	<b>4M14G87MLOS</b>	<b>4M14G87MLOSS</b>	630	630
8, 10	3/8	M 14×1.5	11/16-18	19	19	30	44	<b>6M14G87MLOS</b>	<b>6M14G87MLOSS</b>	630	630
12	1/2	M 14×1.5	13/16-16	19	22	32	66	<b>8M14G87MLOS</b>	<b>8M14G87MLOSS</b>	630	630
14, 15, 16	5/8	M 14×1.5	1-14	19	27	35	82	<b>10M14G87MLOS</b>	<b>10M14G87MLOSS</b>	420	420
18, 20	3/4	M 14×1.5	1 3/16-12	19	32	36	104	<b>12M14G87MLOS</b>	<b>12M14G87MLOSS</b>	420	420

Product delivered with NBR TRAP seal. Replacement of TRAP seal is with a standard NBR O-ring – see page J74–J75.

Part numbers shown are part of our current manufacturing programme.

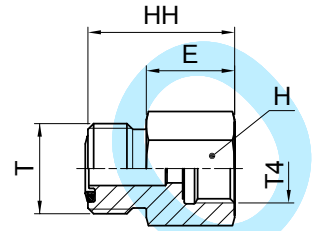
Imperial and metric parts may vary in hexagon dimensions.

$$\frac{\text{PN (bar)}}{10} = \text{PN (MPa)}$$

Do not create drawings from these dimensions, they are subject to change and ISO manufacturing allowances.

## G4MLOSMO Pressure gauge connector

O-Lok® ORFS tube end / Female BSPP gauge thread (ISO 1179-1)



Tube O.D. mm	Tube O.D. in.	Thread BSPP T4	Thread UN/UNF-2A T	E mm	H mm	HH mm	Weight (steel) g/1 piece	O-Lok®	O-Lok®	PN (bar)	
								Steel	Stainless Steel	S	SS
6	1/4	1/4-19	9/16-18	18	17	27	32	4-4G4MLOSMO	4-4G4MLOSSMO	400	400
6	1/4	1/2-14	9/16-18	27	30	37	80	4-8G4MLOSMO	4-8G4MLOSSMO	400	400
8, 10	3/8	1/4-19	11/16-16	17	19	28	49	6G4MLOSMO	6G4MLOSSMO	400	400
8, 10	3/8	1/2-14	11/16-16	27	30	38	107	6-8G4MLOSMO	6-8G4MLOSSMO	400	400
12	1/2	1/4-19	13/16-16	17	22	30	60	8-4G4MLOSMO	8-4G4MLOSSMO	280	280
12	1/2	1/2-14	13/16-16	27	30	40	80	8-8G4MLOSMO	8-8G4MLOSSMO	280	280

Product delivered with NBR TRAP seal. Replacement of TRAP seal is with a standard NBR O-ring – see page J74–J75.

Part numbers shown are part of our current manufacturing programme.

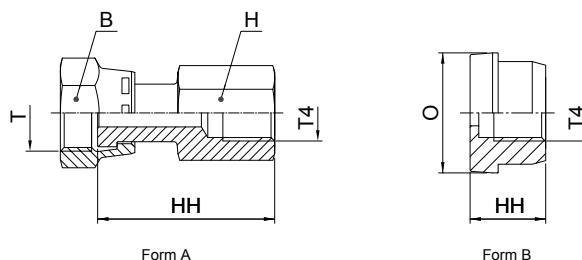
Imperial and metric parts may vary in hexagon dimensions.

$$\frac{\text{PN (bar)}}{10} = \text{PN (MPa)}$$

Do not create drawings from these dimensions, they are subject to change and ISO manufacturing allowances.

## TT4ML Test point connector

O-Lok® ORFS swivel female end / Female BSPP thread (ISO 1179-1)  
for EMA3 test point



Form B has to be assembled with a nut BMLS/BLS.

Thread UN/UNF-2B T	Thread BSPP T4	O mm	B mm	H mm	HH mm	Weight (steel) g/1 piece	Form	O-Lok®		PN (bar)	
								Steel	Stainless Steel	S	SS
9/16-18	1/4-19	—	17	19	38	60	A	<b>4TT4MLS</b>	<b>4TT4MLSS</b>	420	420
11/16-16	1/4-19	—	22	19	41	74	A	<b>6TT4MLS</b>	<b>6TT4MLSS</b>	420	420
13/16-16	1/4-19	—	24	19	43	91	A	<b>8TT4MLS</b>	<b>8TT4MLSS</b>	420	420
—	1/4-19	23	—	—	18	30	B	<b>10TT4LS</b>	<b>10TT4MLSS</b>	420	420
—	1/4-19	28	—	—	18	48	B	<b>12TT4LS</b>	<b>12TT4MLSS</b>	420	420
—	1/4-19	34	—	—	18	95	B	<b>16TT4LS</b>	<b>16TT4MLSS</b>	420	420
—	1/4-19	41	—	—	18	130	B	<b>20TT4LS</b>	<b>20TT4MLSS</b>	280	280
—	1/4-19	48	—	—	18	189	B	<b>24TT4LS</b>	<b>24TT4MLSS</b>	280	280

Part numbers shown are part of our current manufacturing programme.

Imperial and metric parts may vary in hexagon dimensions.

$$\frac{\text{PN (bar)}}{10} = \text{PN (MPa)}$$

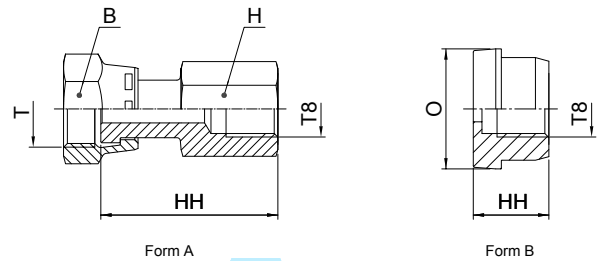
Do not create drawings from these dimensions, they are subject to change and ISO manufacturing allowances.

KONVEN

J

## TT8ML Test point connector

O-Lok® ORFS female swivel end / Metric female thread  
 (Metric female thread designed for use with EMA3 connections only)



Form B has to be assembled with a nut BMLS/BLS.

Thread UN/UNF-2B T	Thread metric T8	O mm	B mm	H mm	HH mm	Weight (steel) g/1 piece	Form	O-Lok®		PN (bar)	
								Steel	Stainless Steel	S	SS
9/16-18	M 10×1.0	—	17	19	38	86	A	<b>4TT8MLS</b>	<b>4TT8MLSS</b>	420	420
11/16-16	M 10×1.0	—	22	19	39	86	A	<b>6TT8MLS</b>	<b>6TT8MLSS</b>	420	420
13/16-16	M 10×1.0	—	24	19	43	123	A	<b>8TT8MLS</b>	<b>8TT8MLSS</b>	420	420
—	M 10×1.0	23	—	—	16	40	B	<b>10TT8LS</b>	<b>10TT8LSS</b>	420	420
—	M 10×1.0	28	—	—	16	60	B	<b>12TT8LS</b>	<b>12TT8LSS</b>	420	420
—	M 10×1.0	34	—	—	16	85	B	<b>16TT8LS</b>	<b>16TT8LSS</b>	420	420
—	M 10×1.0	41	—	—	16	133	B	<b>20TT8LS</b>	<b>20TT8LSS</b>	280	280
—	M 10×1.0	48	—	—	16	193	B	<b>24TT8LS</b>	<b>24TT8LSS</b>	280	280

Part numbers shown are part of our current manufacturing programme.

Imperial and metric parts may vary in hexagon dimensions.

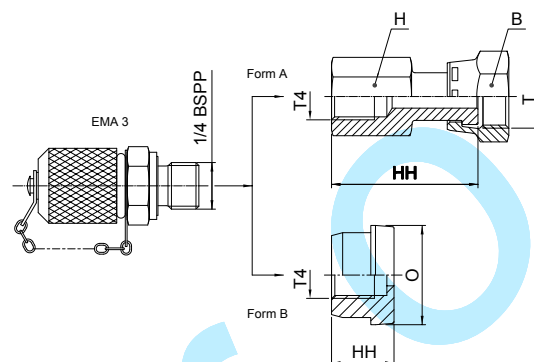
$$\frac{\text{PN (bar)}}{10} = \text{PN (MPa)}$$

Do not create drawings from these dimensions, they are subject to change and ISO manufacturing allowances.

KONVEN

## TTP4ML Test point connector

O-Lok® ORFS female swivel end / EMA3 test point



Form B versions delivered complete with BMLS nut.

Thread UN/UNF-2B T	Thread BSPP T4	O mm	B mm	H mm	HH mm	Weight (steel) g/1 piece	Form	O-Lok® Steel	PN (bar)
9/16-18	1/4-19	—	17	19	38	150	A	<b>4TTP4MLS</b>	420
11/16-16	1/4-19	—	22	19	41	164	A	<b>6TTP4MLS</b>	420
13/16-16	1/4-19	—	24	19	43	181	A	<b>8TTP4MLS</b>	420
—	1/4-19	23	30	—	18	120	B	<b>10TTP4LS</b>	420
—	1/4-19	28	36	—	18	138	B	<b>12TTP4LS</b>	420
—	1/4-19	34	41	—	18	185	B	<b>16TTP4LS</b>	420
—	1/4-19	41	50	—	18	200	B	<b>20TTP4LS</b>	280
—	1/4-19	49	60	—	18	279	B	<b>24TTP4LS</b>	280

O-Lok® is delivered with NBR elastomeric seals as standard. For more details on other seal materials see page J74–J75.

Part numbers shown are part of our current manufacturing programme.

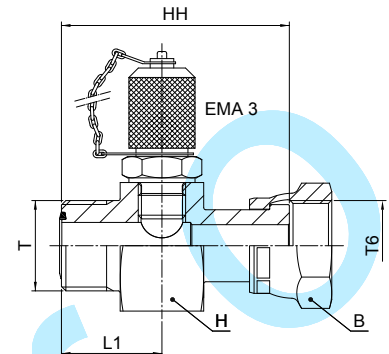
Imperial and metric parts may vary in hexagon dimensions.

$$\frac{\text{PN (bar)}}{10} = \text{PN (MPa)}$$

Do not create drawings from these dimensions, they are subject to change and ISO manufacturing allowances.

## R6P4MLO Test point connector

O-Lok® ORFS end / O-Lok® ORFS female swivel end / EMA3 test point



Tube O.D.		Thread UN/UNF-2A T	Thread UN/UNF-2B T6	HH mm	L1 mm	H mm	B mm	Weight (steel) g/1 piece	O-Lok® Steel	PN (bar)
mm	in.									
6	1/4	9/16-18	9/16-18	50	22	36	17	270	<b>4-4R6P4MLOS</b>	420
8, 10	3/8	11/16-16	11/16-16	53	23	36	22	300	<b>6-4R6P4MLOS</b>	420
12	1/2	13/16-16	13/16-16	58	25	36	24	308	<b>8-4R6P4MLOS</b>	420
14, 15, 16	5/8	1-14	1-14	64	27	36	30	337	<b>10-4R6P4MLOS</b>	420
18, 20	3/4	1 3/16-12	1 3/16-12	68	29	41	36	416	<b>12-4R6P4MLOS</b>	420
22, 25	1	1 7/16-12	1 7/16-12	71	29	46	41	506	<b>16-4R6P4MLOS</b>	420
28, 30, 32	1 1/4	1 11/16-12	1 11/16-12	73	29	50	50	691	<b>20-4R6P4MLOS</b>	280
35, 38	1 1/2	2-12	2-12	74	29	60	60	995	<b>24-4R6P4MLOS</b>	280

Product delivered with NBR TRAP seal. Replacement of TRAP seal is with a standard NBR O-ring – see page J74–J75.

Part numbers shown are part of our current manufacturing programme.

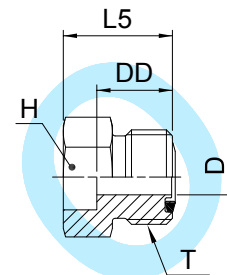
Imperial and metric parts may vary in hexagon dimensions.

$$\frac{\text{PN (bar)}}{10} = \text{PN (MPa)}$$

Do not create drawings from these dimensions, they are subject to change and ISO manufacturing allowances.

## LOHB3\* Braze connector

O-Lok® ORFS tube end / Braze socket  
 SAE 520104 / SAE 52M0104 ISO 8434-3 BRS  
 (\*Parts delivered oil dipped finish only – steel)



Tube O.D.		Thread UN/UNF-2A T	D mm	DD mm	H in.	H mm	L5 mm	Weight (steel) g/1 piece	O-Lok® Steel	O-Lok® Stainless Steel	PN (bar)	
mm	in.										S	SS
6		9/16-18	4.5	14	—	17	22	23	<b>4-6MMLOHB3S</b>		420	—
	1/4	9/16-18	4.5	13	5/8	—	22	24	<b>4 LOHB3-S</b>	<b>4 LOHB3-SS</b>	420	420
	3/8	9/16-18	4.5	13	5/8	—	22	23	<b>4-6 LOHB3-S</b>	<b>4-6 LOHB3-SS</b>	420	420
	3/8	11/16-16	6.5	14	3/4	—	23	36	<b>6 LOHB3-S</b>	<b>6 LOHB3-SS</b>	420	420
	1/4	11/16-16	6.5	14	3/4	—	23	42	<b>6-4 LOHB3-S</b>	<b>6-4 LOHB3-SS</b>	420	420
	1/2	11/16-16	6.5	14	3/4	—	23	36	<b>6-8 LOHB3-S</b>	<b>6-8 LOHB3-SS</b>	420	420
	5/8	11/16-16	6.5	15	3/4	—	23	30	<b>6-10 LOHB3-S</b>	<b>6-10 LOHB3-SS</b>	420	420
		11/16-16	6.5	15	—	19	23	30	<b>6-10MMLOHB3S</b>		420	—
12		13/16-16	9.5	16	—	22	25	42	<b>8-12MMLOHB3S</b>		420	—
	1/2	13/16-16	9.5	16	7/8	—	25	44	<b>8 LOHB3-S</b>	<b>8 LOHB3-SS</b>	420	420
	1/4	13/16-16	9.5	16	7/8	—	25	58	<b>8-4 LOHB3-S</b>	<b>8-4 LOHB3-SS</b>	420	420
	3/8	13/16-16	9.5	16	7/8	—	25	43	<b>8-6 LOHB3-S</b>	<b>8-6 LOHB3-SS</b>	420	420
	5/8	13/16-16	9.5	16	7/8	—	25	42	<b>8-10 LOHB3-S</b>	<b>8-10 LOHB3-SS</b>	420	420
	3/4	13/16-16	9.5	17	1 1/16	—	30	74	<b>8-12 LOHB3-S</b>	<b>8-12 LOHB3-SS</b>	420	420
16		1-14	12.5	19	—	—	28	101	<b>10-16MMLOHB3S</b>		420	—
	5/8	1-14	12.5	19	1 1/16	—	27	104	<b>10 LOHB3-S</b>	<b>10 LOHB3-SS</b>	420	420
	3/8	1-14	12.5	19	1 1/16	—	27	99	<b>10-6 LOHB3-S</b>	<b>10-6 LOHB3-SS</b>	420	420
	1/2	1-14	12.5	19	1 1/16	—	27	96	<b>10-8 LOHB3-S</b>	<b>10-8 LOHB3-SS</b>	420	420
	3/4	1-14	12.5	19	1 1/16	—	31	97	<b>10-12 LOHB3-S</b>	<b>10-12 LOHB3-SS</b>	420	420
20		1 3/16-12	15.5	21	—	32	34	144	<b>12-20MMLOHB3S</b>		420	—
	3/4	1 3/16-12	15.5	21	1 1/4	—	34	149	<b>12 LOHB3-S</b>	<b>12 LOHB3-SS</b>	420	420
	1/2	1 3/16-12	15.5	21	1 1/4	—	30	174	<b>12-8 LOHB3-S</b>	<b>12-8 LOHB3-SS</b>	420	420
	5/8	1 3/16-12	15.5	21	1 1/4	—	30	171	<b>12-10 LOHB3-S</b>	<b>12-10 LOHB3-SS</b>	420	420
	1	1 3/16-12	15.5	21	1 1/2	—	35	220	<b>12-16 LOHB3-S</b>	<b>12-16 LOHB3-SS</b>	420	420
25		1 7/16-12	20.5	25	—	41	39	218	<b>16-25MMLOHB3S</b>		420	—
	1	1 7/16-12	20.5	25	1 1/2	—	39	225	<b>16 LOHB3-S</b>	<b>16 LOHB3-SS</b>	420	420
	1/2	1 7/16-12	20.5	25	1 1/2	—	33	237	<b>16-8 LOHB3-S</b>	<b>16-8 LOHB3-SS</b>	420	420
	3/4	1 7/16-12	20.5	25	1 1/2	—	37	228	<b>16-12 LOHB3-S</b>	<b>16-12 LOHB3-SS</b>	420	420
	1 1/4	1 7/16-12	20.5	25	1 3/4	—	39	276	<b>16-20 LOHB3-S</b>	<b>16-20 LOHB3-SS</b>	420	420
30		1 11/16-12	26	25	—	46	39	269	<b>20-30MMLOHB3S</b>		280	—
	1 1/4	1 11/16-12	26	25	1 3/4	—	39	278	<b>20 LOHB3-S</b>	<b>20 LOHB3-SS</b>	280	280
	1	1 11/16-12	26	25	1 3/4	—	39	278	<b>20-16 LOHB3-S</b>	<b>20-16 LOHB3-SS</b>	280	280
	1 1/2	1 11/16-12	26	25	2 1/8	—	39	371	<b>20-24 LOHB3-S</b>	<b>20-24 LOHB3-SS</b>	280	280
38		2-12	32	25	—	55	39	374	<b>24-38MMLOHB3S</b>		280	—
	1 1/2	2-12	32	25	2 1/8	—	39	384	<b>24 LOHB3-S</b>	<b>24 LOHB3-SS</b>	280	280
	1 1/4	2-12	32	25	2 1/8	—	39	442	<b>24-20 LOHB3-S</b>	<b>24-20 LOHB3-SS</b>	280	280

Product delivered with NBR TRAP seal. Replacement of TRAP seal is with a standard NBR O-ring – see page J74-J75.

Part numbers shown are part of our current manufacturing programme.

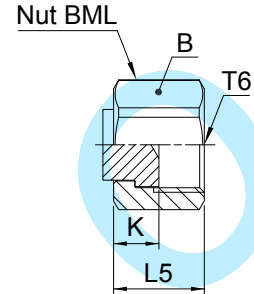
Imperial and metric parts may vary in hexagon dimensions.

$$\frac{\text{PN (bar)}}{10} = \text{PN (MPa)}$$

Do not create drawings from these dimensions, they are subject to change and ISO manufacturing allowances.

## FNML Cap

O-Lok® ORFS Female swivel cap end  
SAE 520112



Thread UN/UNF-2B T6	B mm	K mm	L5 mm	Weight (steel) g/1 piece	O-Lok® Steel	O-Lok® Stainless Steel	PN (bar)	
							S	SS
9/16-18	17	9	16	6	<b>4FNMLS</b>	<b>4FNMLSS</b>	630	630
11/16-16	22	11	20	10	<b>6FNMLS</b>	<b>6FNMLSS</b>	630	630
13/16-16	24	12	22	11	<b>8FNMLS</b>	<b>8FNMLSS</b>	630	630
1-14	30	14	26	31	<b>10FNMLS</b>	<b>10FNMLSS</b>	420	420
1 3/16-12	36	15	29	52	<b>12FNMLS</b>	<b>12FNMLSS</b>	420	420
1 7/16-12	41	16	30	81	<b>16FNMLS</b>	<b>16FNMLSS</b>	420	420
1 11/16-12	48	16	30	129	<b>20 FNL-S</b>	<b>20FNMLSS</b>	280	280
2-12	57	16	30	189	<b>24 FNL-S</b>	<b>24FNMLSS</b>	280	280
2 1/2-12	73	20	37	390	<b>32 FNL-S</b>		200	—

Part numbers shown are part of our current manufacturing programme.

Imperial and metric parts may vary in hexagon dimensions.

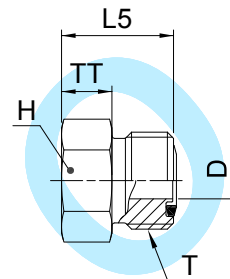
$$\frac{\text{PN (bar)}}{10} = \text{PN (MPa)}$$

Do not create drawings from these dimensions, they are subject to change and ISO manufacturing allowances.



## PNMLO Plug

O-Lok® ORFS tube end plug  
SAE 520109



Tube O.D. mm	Tube O.D. in.	Thread UN/UNF-2A T	D mm	H mm	L5 mm	TT mm	Weight (steel) g/1 piece	O-Lok®	O-Lok®	PN (bar)	
								Steel	Stainless Steel	S	SS
6	1/4	9/16-18	4.5	16	17	7	18	<b>4 PNLO-S</b>	<b>4PNMLOSS</b>	630	630
8, 10	3/8	11/16-16	6.5	19	19	8	34	<b>6PNMLOS</b>	<b>6PNMLOSS</b>	630	630
12	1/2	13/16-16	9.5	22	22	9	45	<b>8PNMLOS</b>	<b>8PNMLOSS</b>	630	630
14, 15, 16	5/8	1-14	12.5	27	26	10	91	<b>10 PNLO-S</b>	<b>10PNMLOSS</b>	420	420
18, 20	3/4	1 3/16-12	15.5	32	27	10	138	<b>12 PNLO-S</b>	<b>12PNMLOSS</b>	420	420
22, 25	1	1 7/16-12	20.5	38	28	10	203	<b>16 PNLO-S</b>	<b>16PNMLOSS</b>	420	420
28, 30, 32	1 1/4	1 11/16-12	26	45	28	10	266	<b>20 PNLO-S</b>	<b>20PNMLOSS</b>	420	280
35, 38	1 1/2	2-12	32	54	28	10	369	<b>24 PNLO-S</b>	<b>24PNMLOSS</b>	350	280
50	2	2 1/2-12	45	70	36	13	580	<b>32 PNLO-S</b>	<b>32PNMLOSS</b>	200	200

Product delivered with NBR TRAP seal. Replacement of TRAP seal is with a standard NBR O-ring – see page J74–J75.

Part numbers shown are part of our current manufacturing programme.

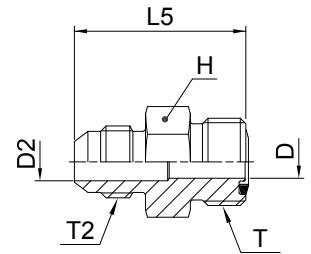
Imperial and metric parts may vary in hexagon dimensions.

$$\frac{\text{PN (bar)}}{10} = \text{PN (MPa)}$$

Do not create drawings from these dimensions, they are subject to change and ISO manufacturing allowances.

## XHMLO Conversion union

Triple-Lok® 37° flare tube end / O-Lok® ORFS tube end



Tube O.D. mm	Tube O.D. in.	Thread UN/UNF-2A T	Thread UN/UNF-2A T2	D mm	D2 mm	L5 mm	H mm	Weight (steel) g/1 piece	O-Lok®	O-Lok®	PN (bar)	
									Steel	Stainless Steel	S	SS
6	1/4	9/16-18	7/16-20	4.5	4.5	32	16	29	<b>4 XHLO-S</b>	<b>4XHMLOSS</b>	500	350
8, 10	3/8	11/16-16	9/16-18	6.5	7.5	34	19	45	<b>6 XHLO-S</b>	<b>6XHMLOSS</b>	420	350
12	1/2	13/16-16	3/4-16	9.5	9.9	39	22	70	<b>8 XHLO-S</b>	<b>8XHMLOSS</b>	420	350
14, 15, 16	5/8	1-14	7/8-14	12.5	12.5	47	27	119	<b>10 XHLO-S</b>	<b>10XHMLOSS</b>	350	350
18, 20	3/4	1 3/16-12	1 1/16-12	15.5	15.5	52	32	181	<b>12 XHLO-S</b>	<b>12XHMLOSS</b>	350	350
22, 25	1	1 7/16-12	1 5/16-12	20.5	20.5	55	38	265	<b>16 XHLO-S</b>	<b>16XHMLOSS</b>	280	280
28, 30, 32	1 1/4	1 11/16-12	1 5/8-12	26	26	58	45	383	<b>20 XHLO-S</b>	<b>20XHMLOSS</b>	280	210
35, 38	1 1/2	2-12	1 7/8-12	32	32	63	54	562	<b>24 XHLO-S</b>	<b>24XHMLOSS</b>	210	140

Product delivered with NBR TRAP seal. Replacement of TRAP seal is with a standard NBR O-ring – see page J74–J75.

Part numbers shown are part of our current manufacturing programme.

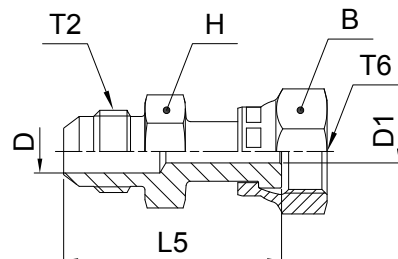
Imperial and metric parts may vary in hexagon dimensions.

$$\frac{\text{PN (bar)}}{10} = \text{PN (MPa)}$$

Do not create drawings from these dimensions, they are subject to change and ISO manufacturing allowances.

## XHML6 Conversion swivel nut connector

Triple-Lok® 37° flare tube end / O-Lok® ORFS female swivel end



Tube O.D.		Thread UN/UNF-2A T2	Thread UN/UNF-2B T6	B	D1	D	L5	H	Weight (steel)	O-Lok® Steel	O-Lok® Stainless Steel	PN (bar)	
mm	in.			mm	mm	mm	mm	mm	g/1 piece			S	SS
6	1/4	7/16-20	9/16-18	18	4.2	4.2	38	16	29	<b>4 XHL6-S</b>	<b>4XHML6SS</b>	500	350
8, 10	3/8	9/16-18	11/16-16	21	6.7	6.7	41	19	46	<b>6 XHL6-S</b>	<b>6XHML6SS</b>	420	350
12	1/2	3/4-16	13/16-16	24	9.1	9.1	48	22	73	<b>8 XHL6-S</b>	<b>8XHML6SS</b>	420	350
14, 15, 16	5/8	7/8-14	1-14	29	11.5	11.5	56	27	126	<b>10 XHL6-S</b>	<b>10XHML6SS</b>	350	350
18, 20	3/4	1 1/16-12	1 3/16-12	35	14	14	64	32	205	<b>12 XHL6-S</b>	<b>12XHML6SS</b>	350	350
22, 25	1	1 5/16-12	1 7/16-12	41	19.9	19.9	68	38	285	<b>16 XHL6-S</b>	<b>16XHML6SS</b>	280	280
28, 30, 32	1 1/4	1 5/8-12	1 11/16-12	48	26	26	71	43	623	<b>20 XHL6-S</b>	<b>20XHML6SS</b>	280	210

Part numbers shown are part of our current manufacturing programme.

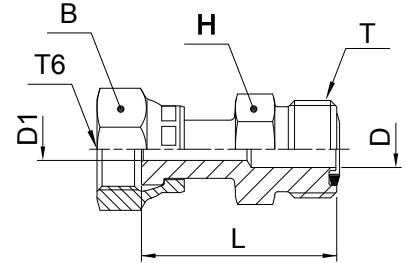
Imperial and metric parts may vary in hexagon dimensions.

$$\frac{\text{PN (bar)}}{10} = \text{PN (MPa)}$$

Do not create drawings from these dimensions, they are subject to change and ISO manufacturing allowances.

## LOHMX6 Conversion swivel nut connector

Triple-Lok® 37 flare female swivel end / O-Lok® ORFS male end



Tube O.D.		Thread UN/UNF-2A T	Thread UN/UNF-2B T6	B	D	D1	H	L	Weight (steel)	O-Lok® Steel	O-Lok® Stainless Steel	PN (bar)	
mm	in.			mm	mm	mm	mm	mm	g/1 piece			S	SS
6	1/4	9/16-18	7/16-20	14	4.5	4.5	16	24	26	<b>4 LOHX6-S</b>	<b>4LOHMX6SS</b>	500	350
8, 10	3/8	11/16-16	9/16-18	18	6.5	6.5	19	29	40	<b>6 LOHX6-S</b>	<b>6LOHMX6SS</b>	350	350
12	1/2	13/16-16	3/4-16	22	9.5	9.5	22	34	63	<b>8 LOHX6-S</b>	<b>8LOHMX6SS</b>	350	350
14, 15, 16	5/8	1-14	7/8-14	25	12.5	12.5	27	39	103	<b>10 LOHX6-S</b>	<b>10LOHMX6SS</b>	350	350
18, 20	3/4	1 3/16-12	1 1/16-12	32	15.5	15.5	32	41	162	<b>12 LOHX6-S</b>	<b>12LOHMX6SS</b>	350	350
22, 25	1	1 7/16-12	1 5/16-12	38	20.5	20.5	38	46	229	<b>16 LOHX6-S</b>	<b>16LOHMX6SS</b>	250	250

Product delivered with NBR TRAP seal. Replacement of TRAP seal is with a standard NBR O-ring – see page J74–J75.

Part numbers shown are part of our current manufacturing programme.

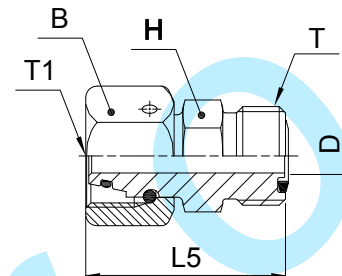
Imperial and metric parts may vary in hexagon dimensions.

$$\frac{\text{PN (bar)}}{10} = \text{PN (MPa)}$$

Do not create drawings from these dimensions, they are subject to change and ISO manufacturing allowances.

## LOHU86 EO swivel adapter

O-Lok® ORFS tube end / EO 24° DKO swivel



Tube O.D.		EO Swivel Size	Thread UN/UNF-2A T	Thread metric T1	H mm	D mm	L5 mm	B mm	Weight (steel) g/1 piece	O-Lok® Steel	PN (bar)
mm	in.										
6	1/4	6L	9/16-18	M 12×1.5	17	2.6	34	14	30	<b>4-6L LOHU86-S</b>	500
6	1/4	8L	9/16-18	M 14×1.5	17	4.1	34	17	50	<b>4-8L LOHU86-S</b>	500
8, 10	3/8	10L	11/16-16	M 16×1.5	19	6.1	37	19	75	<b>6-10L LOHU86-S</b>	500
12	1/2	12L	13/16-16	M 18×1.5	22	8.2	39	22	145	<b>8-12L LOHU86-S</b>	400
14, 15, 16	5/8	15L	1-14	M 22×1.5	27	10.2	46	27	180	<b>10-15L LOHU86-S</b>	400
18, 20	3/4	18L	1 3/16-12	M 26×1.5	32	13.2	48	32	250	<b>12-18L LOHU86-S</b>	400
22, 25	1	22L	1 7/16-12	M 30×2.0	41	17.2	53	36	305	<b>16-22L LOHU86-S</b>	250
6	1/4	6S	9/16-18	M 14×1.5	17	2.6	34	17	30	<b>4-6S LOHU86-S</b>	630
6	1/4	8S	9/16-18	M 16×1.5	17	4.1	34	19	50	<b>4-8S LOHU86-S</b>	630
8, 10	3/8	10S	11/16-16	M 18×1.5	19	6	37	22	75	<b>6-10S LOHU86-S</b>	630
12	1/2	12S	13/16-16	M 20×1.5	22	8	40	24	145	<b>8-12S LOHU86-S</b>	630
14, 15, 16	5/8	14S	1-14	M 22×1.5	27	9.2	47	27	180	<b>10-14S LOHU86-S</b>	420
14, 15, 16	5/8	16S	1-14	M 24×1.5	27	11.2	47	30	185	<b>10-16S LOHU86-S</b>	420
18, 20	3/4	20S	1 3/16-12	M 30×2.0	32	14.1	52	36	260	<b>12-20S LOHU86-S</b>	420
22, 25	1	25S	1 7/16-12	M 36×2.0	41	18.2	55	46	308	<b>16-25S LOHU86-S</b>	420

Product delivered with NBR TRAP seal. Replacement of TRAP seal is with a standard NBR O-ring – see page J74–J75.

Part numbers shown are part of our current manufacturing programme.

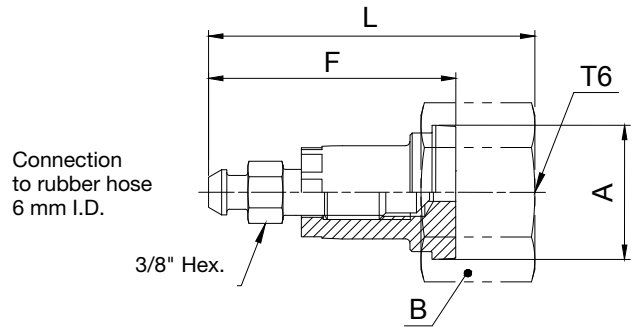
Imperial and metric parts may vary in hexagon dimensions.

$$\frac{\text{PN (bar)}}{10} = \text{PN (MPa)}$$

Do not create drawings from these dimensions, they are subject to change and ISO manufacturing allowances.

**FNLBA Bleed adaptor**

O-Lok® ORFS female end



Thread UN/UNF-2B T6	A mm	F mm	B mm	L mm	Weight (steel) g/1 piece	O-Lok®	O-Lok®	PN (bar)	
						Steel	Stainless Steel	S	SS
13/16-16	19	41	24	53	49	<b>8 FNLBA-S</b>	<b>8 FNLBA-SS</b>	630	630
1-14	23	41	29	55	77	<b>10 FNLBA-S</b>	<b>10 FNLBA-SS</b>	420	420
1 3/16-12	28	41	35	56	111	<b>12 FNLBA-S</b>	<b>12 FNLBA-SS</b>	420	420
1 7/16-12	34	41	41	56	113	<b>16 FNLBA-S</b>	<b>16 FNLBA-SS</b>	420	420
1 11/16-12	41	41	48	56	151	<b>20 FNLBA-S</b>	<b>20 FNLBA-SS</b>	420	420
2-12	49	41	57	56	161	<b>24 FNLBA-S</b>	<b>24 FNLBA-SS</b>	420	350

Part numbers shown are part of our current manufacturing programme.  
Imperial and metric parts may vary in hexagon dimensions.

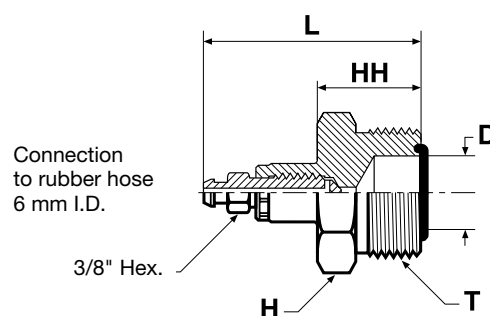
$$\frac{\text{PN (bar)}}{10} = \text{PN (MPa)}$$

Do not create drawings from these dimensions, they are subject to change and ISO manufacturing allowances.

KONAN

## PNLOBA Bleed adaptor

O-Lok® ORFS female end



Tube O.D.		Thread UN/UNF-2A T	D mm	H mm	HH mm	L mm	Weight (steel) g/1 piece	O-Lok® Steel	PN (bar)
mm	in.								
6	1/4	9/16-18	4.5	18	20	48	57	<b>4 PNLOBA-S</b>	630
8, 10	3/8	11/16-16	6.5	19	22	50	64	<b>6 PNLOBA-S</b>	630
12	1/2	13/16-16	9.5	22	23	53	93	<b>8 PNLOBA-S</b>	630
14, 15, 16	5/8	1-14	12.5	27	26	56	127	<b>10 PNLOBA-S</b>	420
18, 20	3/4	1 3/16-12	15.5	32	27	58	220	<b>12 PNLOBA-S</b>	420
22, 25	1	1 7/16-12	20.5	38	28	60	266	<b>16 PNLOBA-S</b>	420
28, 30, 32	1 1/4	1 11/16-12	26	45	28	61	304	<b>20 PNLOBA-S</b>	420
35, 38	1 1/2	2-12	32	54	28	63	422	<b>24 PNLOBA-S</b>	350

Product delivered with NBR TRAP seal. Replacement of TRAP seal is with a standard NBR O-ring – see page J74–J75.

Part numbers shown are part of our current manufacturing programme.

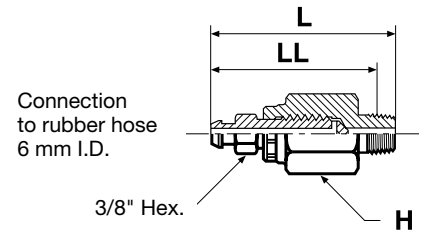
Imperial and metric parts may vary in hexagon dimensions.

$$\frac{\text{PN (bar)}}{10} = \text{PN (MPa)}$$

Do not create drawings from these dimensions, they are subject to change and ISO manufacturing allowances.

## HPBA Bleed adaptor

Bleed hose connection / Male NPTF thread (SAE J476)



Thread NPTF	H mm	L mm	LL mm	O-Lok® Steel	PN (bar)
1/4-18	18	56	47	<b>1/4 HPBA-S</b>	420

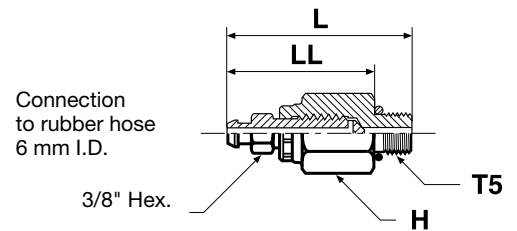
Imperial and metric parts may vary in hexagon dimensions.

$$\frac{\text{PN (bar)}}{10} = \text{PN (MPa)}$$

Do not create drawings from these dimensions, they are subject to change and ISO manufacturing allowances.

## P50NBA Bleed adaptor

Bleed hose connection/Male UN/UNF thread – O-ring (ISO 11926)



Thread UN/UNF-2A T5	H mm	L mm	LL mm	O-Lok® Steel	PN (bar)
7/16-20	18	52	41	<b>4 P50NBA-S</b>	420

O-Lok® is delivered with NBR elastomeric seals as standard. For more details on other seal materials see page J74–J75.

Part numbers shown are part of our current manufacturing programme.

Imperial and metric parts may vary in hexagon dimensions.

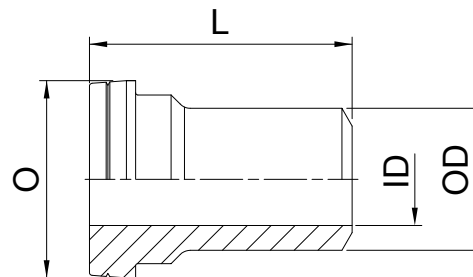
$$\frac{\text{PN (bar)}}{10} = \text{PN (MPa)}$$

Do not create drawings from these dimensions, they are subject to change and ISO manufacturing allowances.



## TW3L Weld nipple

O-Lok® ORFS female end / Butt weld end



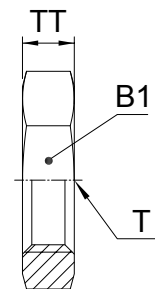
Tube O.D. mm	ID mm	OD mm	O mm	L mm	Weight (steel) g/1 piece	O-Lok® Steel	O-Lok® Stainless Steel
6	2	6	13	25	10	<b>TW3LS6</b>	<b>TW3LSS6</b>
8	3	8	13	25	12	<b>TW3LS8</b>	<b>TW3LSS8</b>
10	4	10	16	26	15	<b>TW3LS10</b>	<b>TW3LSS10</b>
12	5	12	19	26	18	<b>TW3LS12</b>	<b>TW3LSS12</b>
16	10	16	23	32	25	<b>TW3LS16</b>	<b>TW3LSS16</b>
20	13	20	28	37	30	<b>TW3LS20</b>	<b>TW3LSS20</b>
25	16	25	34	42	37	<b>TW3LS25</b>	<b>TW3LSS25</b>
30	22	30	41	44	43	<b>TW3LS30</b>	<b>TW3LSS30</b>
38	28	38	48	49	70	<b>TW3LS38</b>	<b>TW3LSS38</b>

Part numbers shown are part of our current manufacturing programme.

Do not create drawings from these dimensions, they are subject to change and ISO manufacturing allowances.

## WLNML Bulkhead locknut

SAE 520118/SAE 52M0118 ISO 8434-3 BHLN



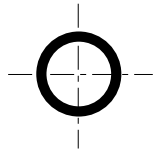
Thread UN/UNF-2B T	B1 mm	TT mm	Weight (steel) g/1 piece	O-Lok® Steel	O-Lok® Stainless Steel
9/16-18	22	7	11	<b>4WLNMLS</b>	<b>4WLNMLSS</b>
11/16-16	27	8	23	<b>6WLNMLS</b>	<b>6WLNMLSS</b>
13/16-16	30	9	26	<b>8WLNMLS</b>	<b>8WLNMLSS</b>
1-14	36	11	38	<b>10WLNMLS</b>	<b>10WLNMLSS</b>
1 3/16-12	41	11	44	<b>12WLNMLS</b>	<b>12WLNMLSS</b>
1 7/16-12	46	11	54	<b>16WLNMLS</b>	<b>16WLNMLSS</b>
1 11/16-12	51	10	73	<b>20 WLNL-S</b>	<b>20WLNMLSS</b>
2-12	60	10	102	<b>24 WLNL-S</b>	<b>24WLNMLSS</b>

Part numbers shown are part of our current manufacturing programme.

Imperial and metric parts may vary in hexagon dimensions.

Do not create drawings from these dimensions, they are subject to change and ISO manufacturing allowances.

## Spare parts guide – O-Lok® retaining rings and seals



### Face seal end O-rings SAE J1453/ISO 8434-3

Dash size	Thread UN/UNF	O-ring order code		O-ring ID × section mm
		NBR	FKM	
4	9/16-18	2-011-N552-9	2-011-V894-9	7.65 × 1.78
6	11/16-16	2-012-N552-9	2-012-V894-9	9.25 × 1.78
8	13/16-16	2-014-N552-9	2-014-V894-9	12.42 × 1.78
10	1-14	2-016-N552-9	2-016-V894-9	15.60 × 1.78
12	1 3/16-12	2-018-N552-9	2-018-V894-9	18.77 × 1.78
16	1 7/16-12	2-021-N552-9	2-021-V894-9	23.52 × 1.78
20	1 11/16-12	2-025-N552-9	2-025-V894-9	29.87 × 1.78
24	2-12	2-029-N552-9	2-029-V894-9	37.82 × 1.78
32	2 1/2-12	2-135-N552-9	2-135-V894-9	48.90 × 2.62

### BSPP male threads – ISO 1179

Thread BSPP	ED seal order code		O-ring order code*		O-ring ID × section mm	Retainer ring Order code Steel	Retainer ring Order code Stainless Steel
	NBR	FKM	NBR	FKM			
1/8	ED10X1X	ED10X1VITX	6-002-N552-9	6-002-V894-9	8.00 × 2.00	8207-1/8	8207SS1/8
1/4	ED14X1.5X	ED14X1.5VITX	2-111-N552-9	2-111-V894-9	10.77 × 2.62	8207-1/4	8207SS1/4A
3/8	ED3/8X	ED3/8VITX	2-113-N552-9	2-113-V894-9	13.94 × 2.62	8207-3/8	8207SS3/8A
1/2	ED1/2X	ED1/2VITX	5-256-N552-9	5-256-V894-9	17.96 × 2.62	8207-1/2	8207SS1/2
3/4	ED26X1.5X	ED26X1.5VITX	2-119-N552-9	2-119-V894-9	23.47 × 2.62	8207-3/4	8207SS3/4
1	ED33X2X	ED33X2VITX	2-217-N552-9	2-217-V894-9	29.74 × 3.53	8207-1	8207SS1A
1 1/4	ED42X2X	ED42X2VITX	2-222-N552-9	2-222-V894-9	37.69 × 3.53	8207-1-1/4	8207SS1 1/4
1 1/2	ED48X2X	ED48X2VITX	2-224-N552-9	2-224-V894-9	44.04 × 3.53	8207-1-1/2	8207SS1 1/2

Typical fittings using these parts: F42EDMLO/C4OMLO/V4OMLO etc.

\*Must be used with correct retainer ring.

### Metric male threads – ISO 9974

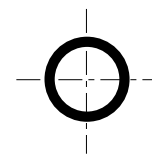
Thread metric	ED seal order code		O-ring order code*		O-ring ID × section mm	Retainer ring Order code Steel	Retainer ring Order code Stainless Steel
	NBR	FKM	NBR	FKM			
M 10×1.0	ED10X1/R1/8	ED10X1R1/8VIT	6-074-N552-9	6-074-V894-9	8.00 × 1.50	M10RR	RRM10X1SS
M 12×1.5	ED12X1.5	ED14X1.5/VIT	2-012-N552-9	2-012-V894-9	9.25 × 1.78	M12RR	RRM12X1.5SS
M 14×1.5	ED14X1.5/R1/4	ED14X1.5/R1/4VIT	2-013-N552-9	2-013-V894-9	10.82 × 1.78	M14RR	RRM14X1.5SS
M 16×1.5	ED16X1.5	ED16X1.5/VIT	3-907-N552-9	3-907-V894-9	13.46 × 2.08	M16RR	RRM16X1.5SS
M 18×1.5	ED18X1.5	ED18X1.5/VIT	2-114-N552-9	2-114-V894-9	15.54 × 2.62	M18RR	RRM18X1.5SS
M 22×1.5	ED22X1.5	ED22X1.5VIT	2-018-N552-9	2-018-V894-9	18.77 × 1.78	M22RR	RRM22X1.5SS
M 27×2.0	ED26X1.5X**	ED26X1.5VITX	2-119-N552-9	2-119-V894-9	23.47 × 2.62	M27RR	RRM27X2SS
M 33×2.0	ED33X2R1	ED33X2/R1VIT	2-122-N552-9	2-122-V894-9	28.24 × 2.62	M33RR	RRM33X2SS
M 42×2.0	ED42X2/R1.1/4	ED42X2R1.1/4VIT	2-128-N552-9	2-128-V894-9	37.77 × 2.62	M42RR	RRM42X2SS
M 48×2.0	ED48X2/R1.1/2	ED48X2R1.1/2VIT	2-132-N552-9	2-132-V894-9	44.12 × 2.62	M48RR	RRM48X2SS

Typical fittings using these parts: F82EDMLO/C8OMLO/V8OMLO etc.

\*Must be used with correct retainer ring.

\*\*Same seal used for M 26×1.5 and M 27×2.0

## Spare parts guide – O-Lok® retaining rings and seals



## UN / UNF male threads – ISO 11926

Dash size	Thread UN/UNF	O-ring order code		O-ring ID × section mm
		NBR	FKM	
2	5/16-24	<b>3-902-N552-9</b>	<b>3-902-V894-9</b>	6.07 × 1.63
3	3/8-24	<b>3-903-N552-9</b>	<b>3-903-V894-9</b>	7.65 × 1.63
4	7/16-20	<b>3-904-N552-9</b>	<b>3-904-V894-9</b>	8.92 × 1.83
5	1/2-20	<b>3-905-N552-9</b>	<b>3-905-V894-9</b>	10.52 × 1.83
6	9/16-18	<b>3-906-N552-9</b>	<b>3-906-V894-9</b>	11.89 × 1.98
8	3/4-16	<b>3-908-N552-9</b>	<b>3-908-V894-9</b>	16.36 × 2.21
10	7/8-14	<b>3-910-N552-9</b>	<b>3-910-V894-9</b>	19.18 × 2.46
12	1 1/16-12	<b>3-912-N552-9</b>	<b>3-912-V894-9</b>	23.47 × 2.95
14	1 3/16-12	<b>3-914-N552-9</b>	<b>3-914-V894-9</b>	26.59 × 2.95
16	1 5/16-12	<b>3-916-N552-9</b>	<b>3-916-V894-9</b>	29.74 × 2.95
20	1 5/8-12	<b>3-920-N552-9</b>	<b>3-920-V894-9</b>	37.47 × 3.00
24	1 7/8-12	<b>3-924-N552-9</b>	<b>3-924-V894-9</b>	43.69 × 3.00
32	2 1/2-12	<b>3-932-N552-9</b>	<b>3-932-V894-9</b>	59.36 × 3.00

Typical fittings using these parts: F5OMLO/C5OMLO/R5OMLO etc.

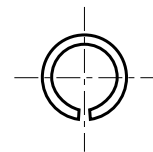
## Metric male threads – ISO 6149

Thread metric	O-ring order code		O-ring ID × section mm
	NBR	FKM	
M 10×1.0	<b>6-345-N552-9</b>	<b>6-345-V894-9</b>	8.20 × 1.50
M 12×1.5	<b>6-346-N552-9</b>	<b>6-346-V894-9</b>	9.40 × 2.10
M 14×1.5	<b>6-347-N552-9</b>	<b>6-347-V894-9</b>	11.40 × 2.10
M 16×1.5	<b>6-348-N552-9</b>	<b>6-348-V894-9</b>	13.40 × 2.10
M 18×1.5	<b>6-349-N552-9</b>	<b>6-349-V894-9</b>	15.40 × 2.10
M 22×1.5	<b>6-350-N552-9</b>	<b>6-350-V894-9</b>	19.40 × 2.10
M 27×2.0	<b>6-351-N552-9</b>	<b>6-351-V894-9</b>	23.70 × 2.80
M 33×2.0	<b>6-352-N552-9</b>	<b>6-352-V894-9</b>	29.70 × 2.80
M 42×2.0	<b>6-353-N552-9</b>	<b>6-353-V894-9</b>	38.70 × 2.80
M 48×2.0	<b>6-354-N552-9</b>	<b>6-354-V894-9</b>	46.70 × 2.80

Typical fittings using these parts: F87OMLO/S87OMLO etc.

Other seal compounds are available on request for alternative applications.

## SBR Braze ring



### For metric tubing

Tube O.D. mm	Order code
6	<b>SBR 6</b>
8	<b>SBR 8</b>
10	<b>SBR 10</b>
12	<b>SBR 12</b>
14	<b>SBR 14</b>
15	<b>SBR 15</b>
16	<b>SBR 16</b>
18	<b>SBR 18</b>
20	<b>SBR 20</b>
22	<b>SBR 22</b>
25	<b>SBR 25</b>
28	<b>SBR 28</b>
30	<b>SBR 30</b>
32	<b>SBR 32</b>
35	<b>SBR 35</b>
38	<b>SBR 38</b>
50	<b>SBR 50</b>

### For inch tubing

Tube O.D. in.	Order code
1/4	<b>4SBR</b>
3/8	<b>6SBR</b>
1/2	<b>8SBR</b>
5/8	<b>10SBR</b>
3/4	<b>12SBR</b>
1	<b>16SBR</b>
1 1/4	<b>20SBR</b>
1 1/2	<b>24SBR</b>
2	<b>32SBR</b>

Part numbers shown are part of our current manufacturing programme.

KOVAN S.R.L.